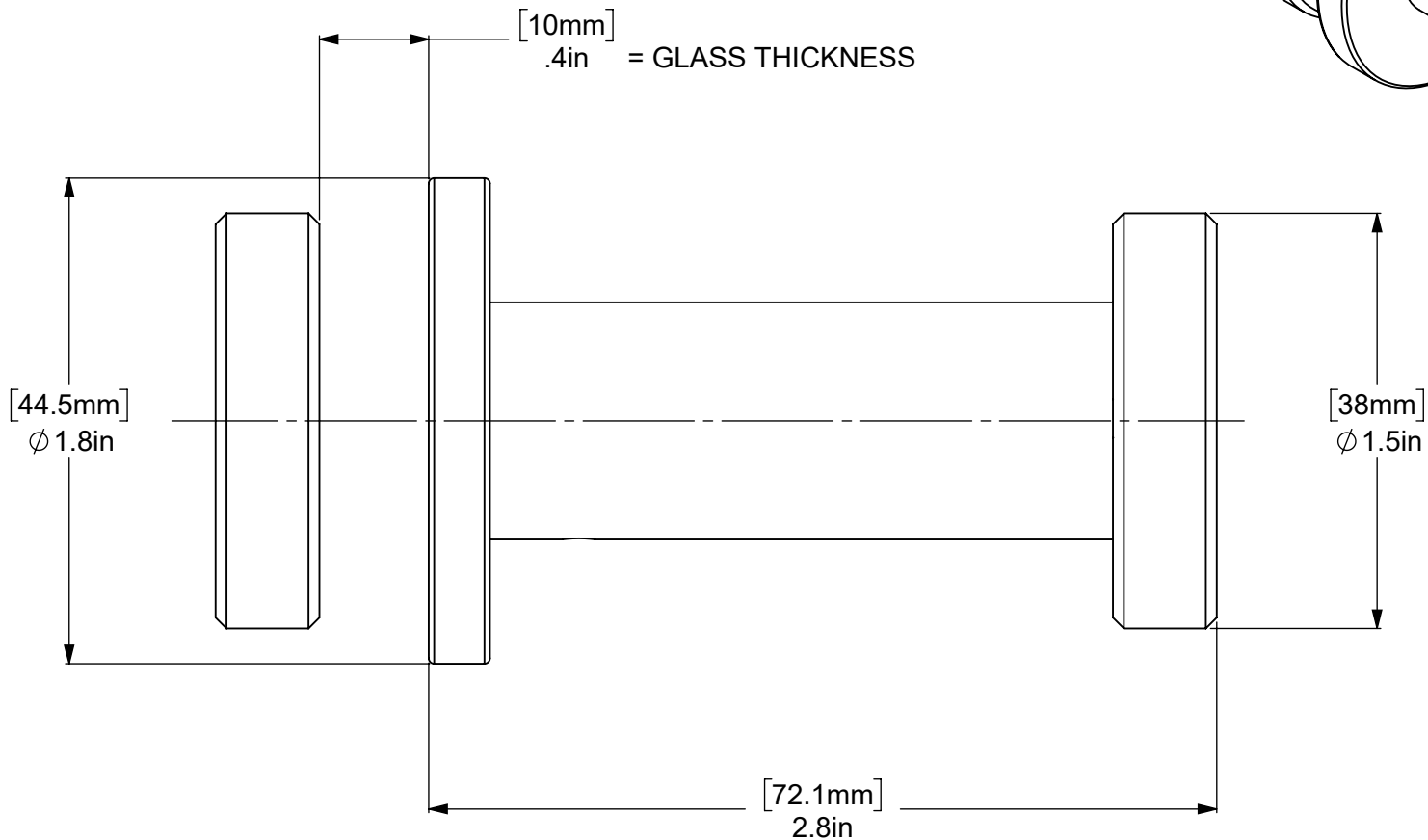
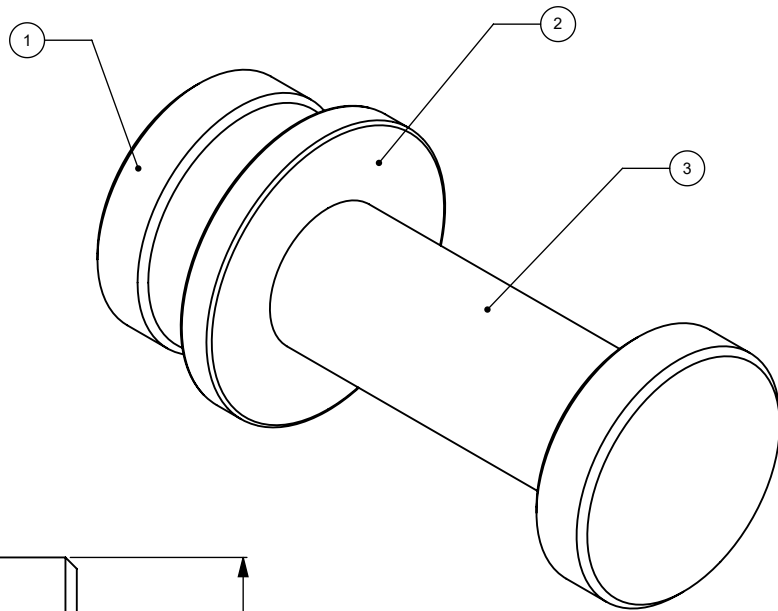


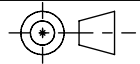
ITEM #	PART NO.	DESCRIPTION	QTY
1	FR-CAP	CAP	2
2	FR-BP	BACK PLATE	1
3	FR-HPST	HOOK POST	1



UNLESS OTHERWISE STATED

.X	±.3mm
.XX	±.15mm
.XXX	±.008mm

COPYRIGHT © Allied Brass 2022



THIRD ANGLE PROJECTION

DRAWN	5/28/2022	I.M
CHECKED	5/28/2022	R.P
APPROVED	5/28/2022	R.A

MATERIAL:	BRASS	
DESCRIPTION:	FRESNO SHOWER DOOR HOOK	

FINISH	TBD
QUANTITY	TBD
DRAWING No.	REV
FR-21-SM	0
SCALE	1.5:1 SHEET: 01 A4