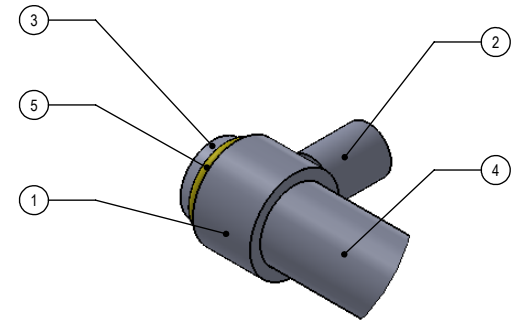
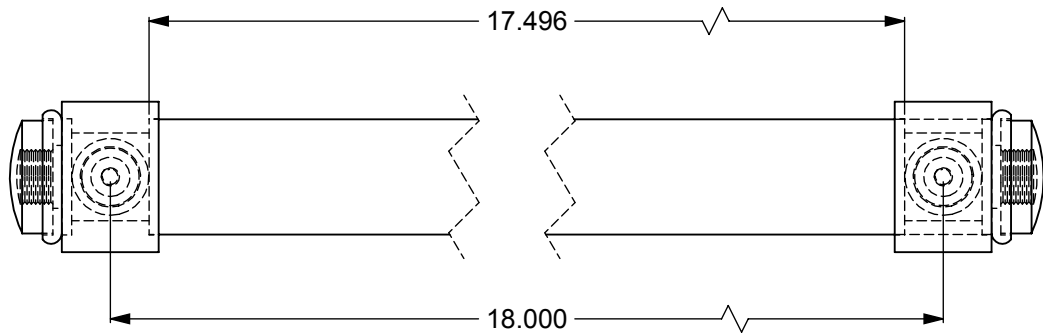
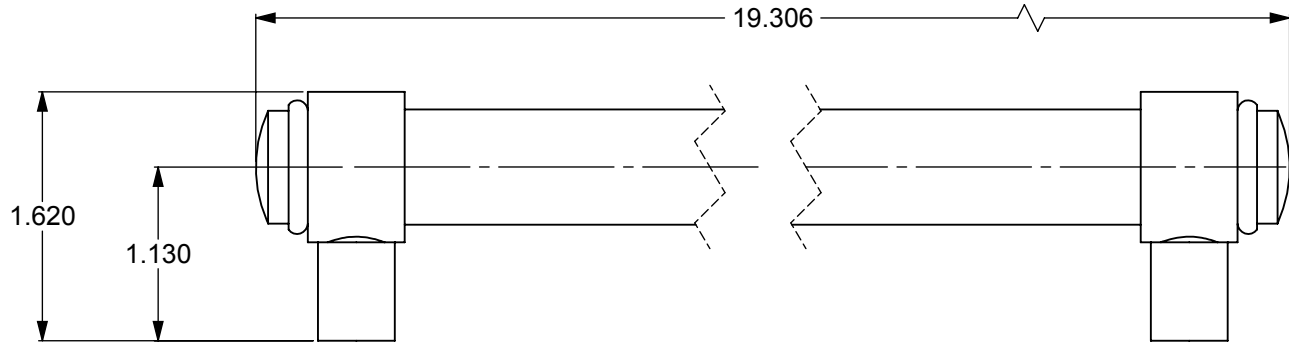
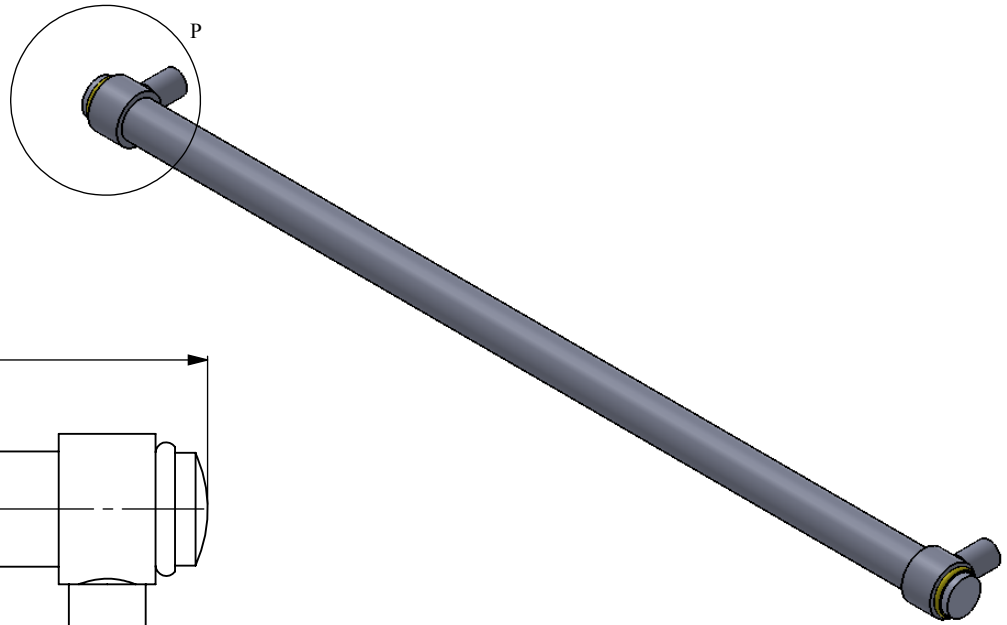


ITEM NO.	PART NUMBER	DESCRIPTION	QTY.
1	HB1T-1	HUB	2
2	PSRD8-12	BASE	2
3	CARD-34	END	2
4	TU34-17.5	TUBE	1
5	CRRD-34	RING	2

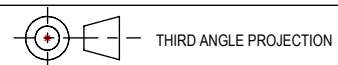


DETAIL P
SCALE 2 : 3

UNLESS OTHERWISE STATED

.X	±.3mm
.XX	±.15mm
.XXX	±.008mm

COPYRIGHT © Allied Brass 2017



DRAWN	5/24/2017	I.M
CHECKED	5/24/2017	P.D
APPROVED	5/24/2017	R.A

MATERIAL: BRASS		FINISH	TBD
DESCRIPTION: 18 Inch Refrigerator Pull		QUANTITY	TBD
		DRAWING No. F-30-RP	
APPROVED		SCALE	1:1.25
APPROVED		SHEET: 01	A4

