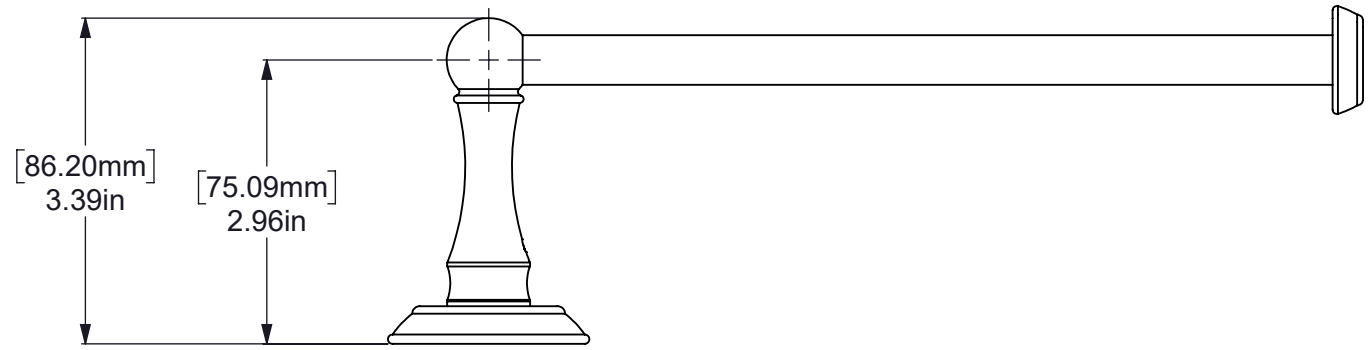
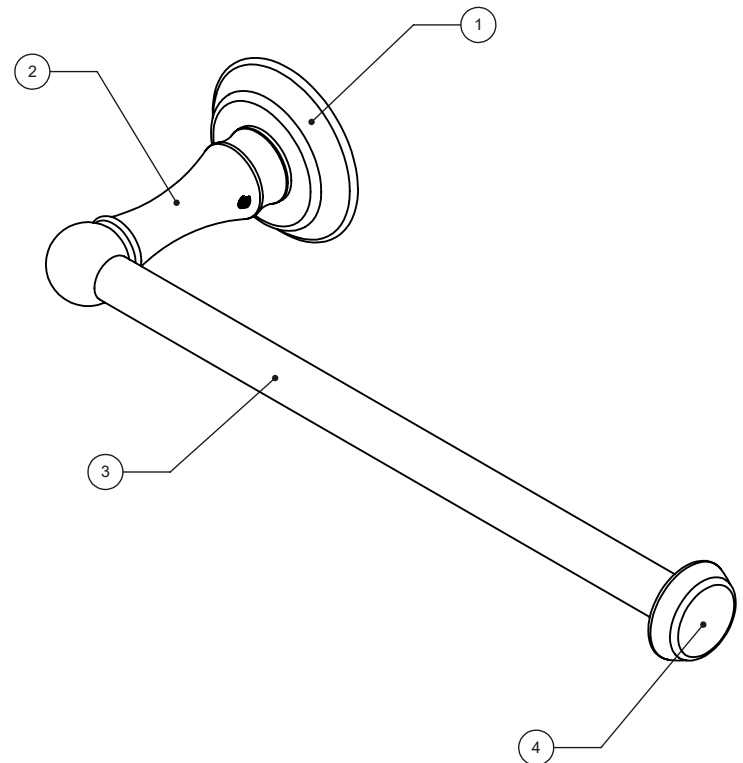
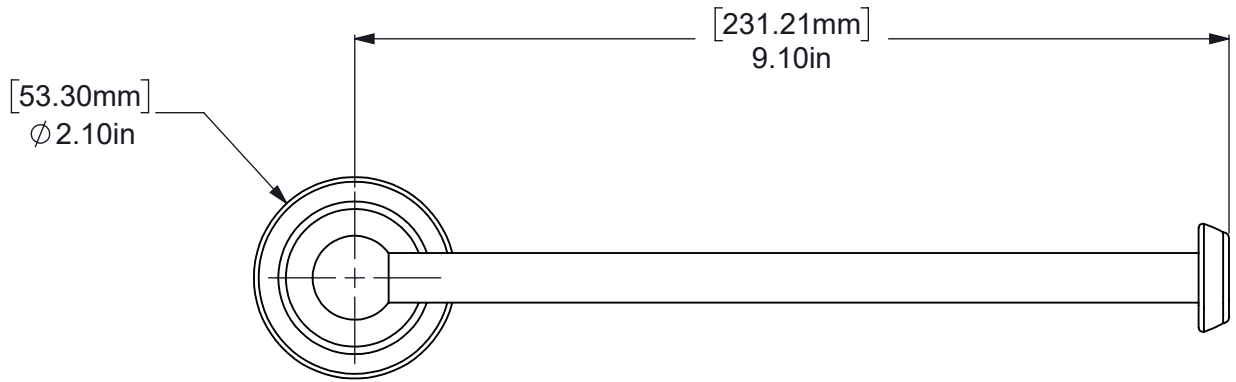


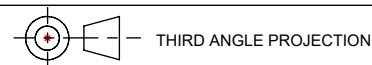
ITEM #	PART NO.	DESCRIPTION	QTY
1	BPET	BACKPLATE	1
2	TBET-3	TOWEL BAR POST	1
3	TU12-9	TUBE	1
4	CARD-ES	ESSEX CAP	1



UNLESS OTHERWISE STATED

.X	± .3mm
.XX	± .15mm
.XXX	± .008mm

COPYRIGHT © Allied Brass 2022



DRAWN	9/29/2022	I.M
CHECKED	9/29/2022	R.P
APPROVED	9/29/2022	R.A

MATERIAL:	BRASS
DESCRIPTION:	Essex Collection Guest Towel Holder



FINISH	TBD
QUANTITY	TBD
DRAWING No.	REV
ES-HTB-1	0
SCALE	1:2
SHEET: 01	A4