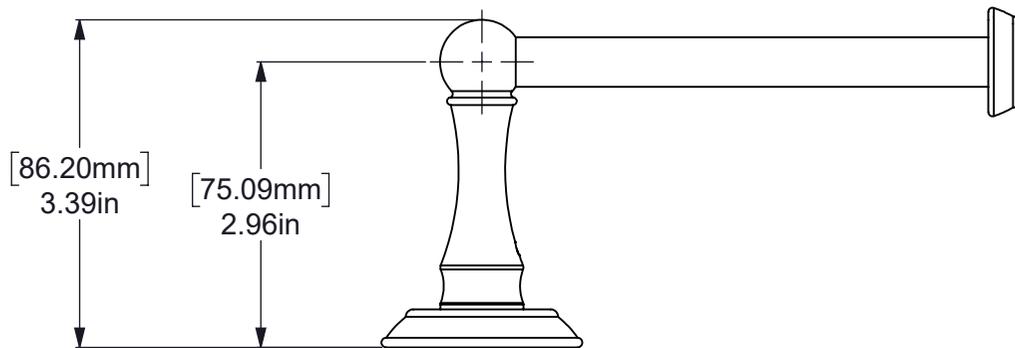
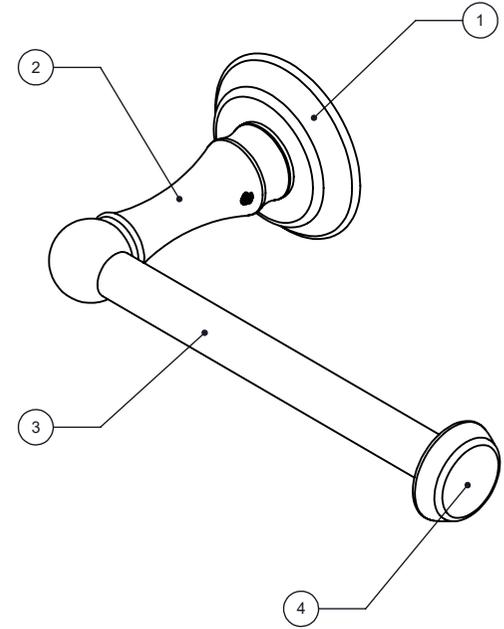
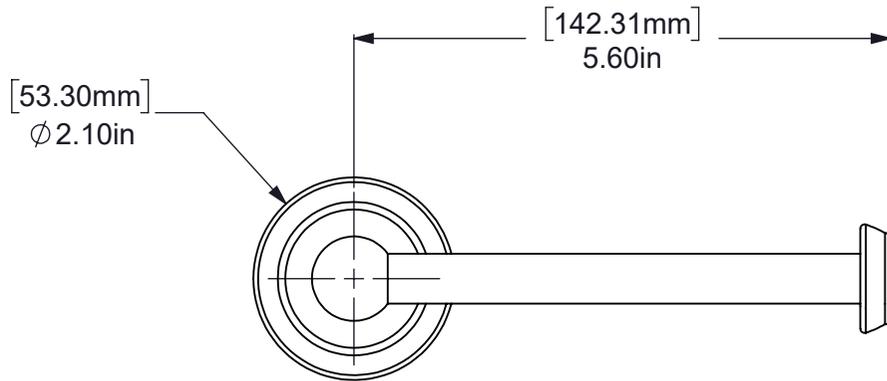


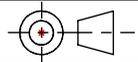
| ITEM # | PART NO. | DESCRIPTION | QTY |
|--------|----------|----------------|-----|
| 1 | BPET | BACKPLATE | 1 |
| 2 | TBET-3 | TOWEL BAR POST | 1 |
| 3 | TU12-5.5 | TUBE | 1 |
| 4 | CARD-ES | ESSEX CAP | 1 |



UNLESS OTHERWISE STATED

| | |
|------|----------|
| .X | ± .3mm |
| .XX | ± .15mm |
| .XXX | ± .008mm |

COPYRIGHT © Allied Brass 2022



THIRD ANGLE PROJECTION

| | | |
|----------|-----------|-----|
| DRAWN | 9/29/2022 | I.M |
| CHECKED | 9/29/2022 | R.P |
| APPROVED | 9/29/2022 | R.A |

| | | |
|---|--|--|
| MATERIAL: | BRASS | |
| DESCRIPTION: | Essex Collection Euro Style Toilet Tissue Holder | |
|  | | |

| | | | |
|-------------|-----|-----------|----|
| FINISH | TBD | | |
| QUANTITY | TBD | | |
| DRAWING No. | | REV | |
| ES-24E | | 0 | |
| SCALE | 1:2 | SHEET: 01 | A4 |