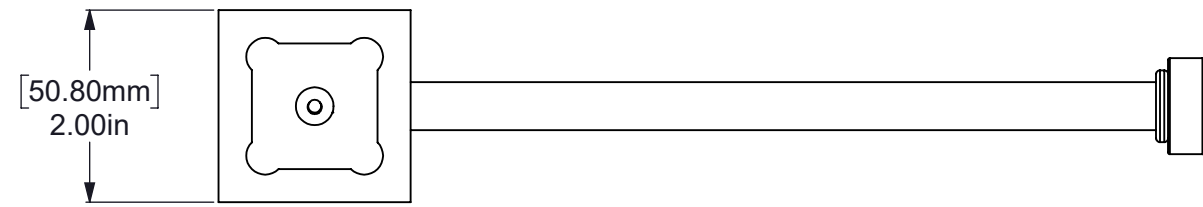
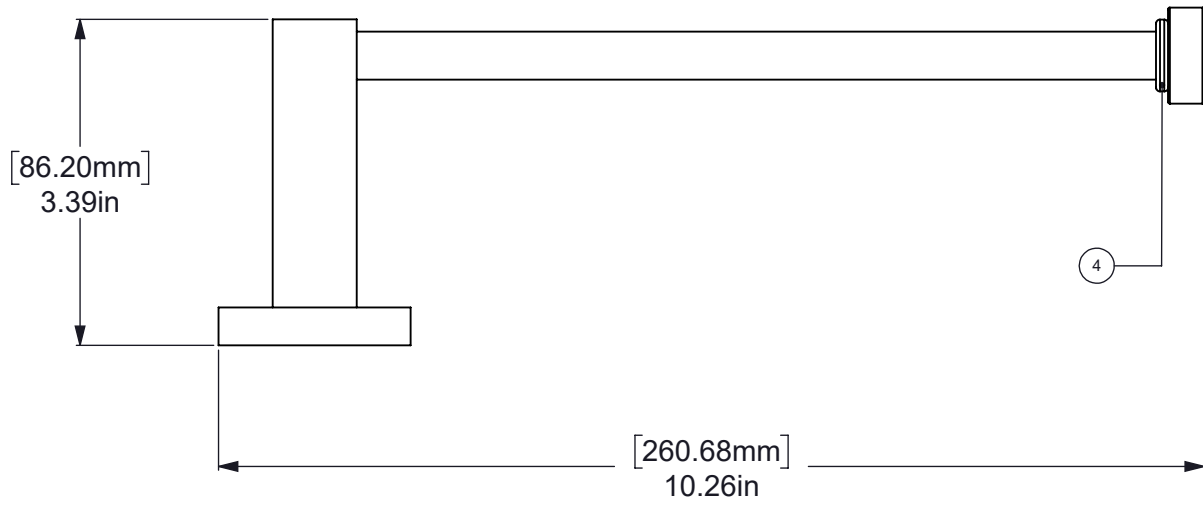
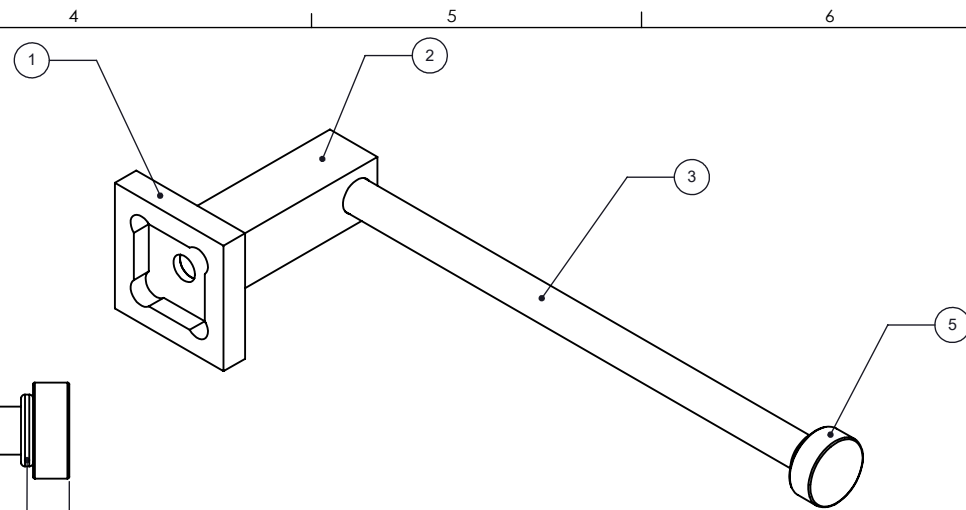


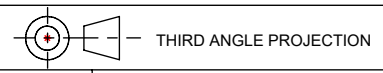
ITEM #	PART NO.	DESCRIPTION	QTY
1	BPES	BACKPLATE	1
2	TBES-3	TOWEL BAR POST	1
3	TU12-9	TUBE	1
4	CRRD-12	1/2" CHECK RING	1
5	CARD-1	1" CAP	1



UNLESS OTHERWISE STATED

.X	±.3mm
.XX	±.15mm
.XXX	±.008mm

COPYRIGHT © Allied Brass 2022



DRAWN	10/5/2022	I.M
CHECKED	10/5/2022	R.P
APPROVED	10/5/2022	R.A

MATERIAL:	BRASS	
DESCRIPTION:	Dayton Collection Hand Towel Holder	



FINISH	TBD	
QUANTITY	TBD	
DRAWING No.	DY-HTB-1	
REV	0	
SCALE	1:2	SHEET: 01 A4