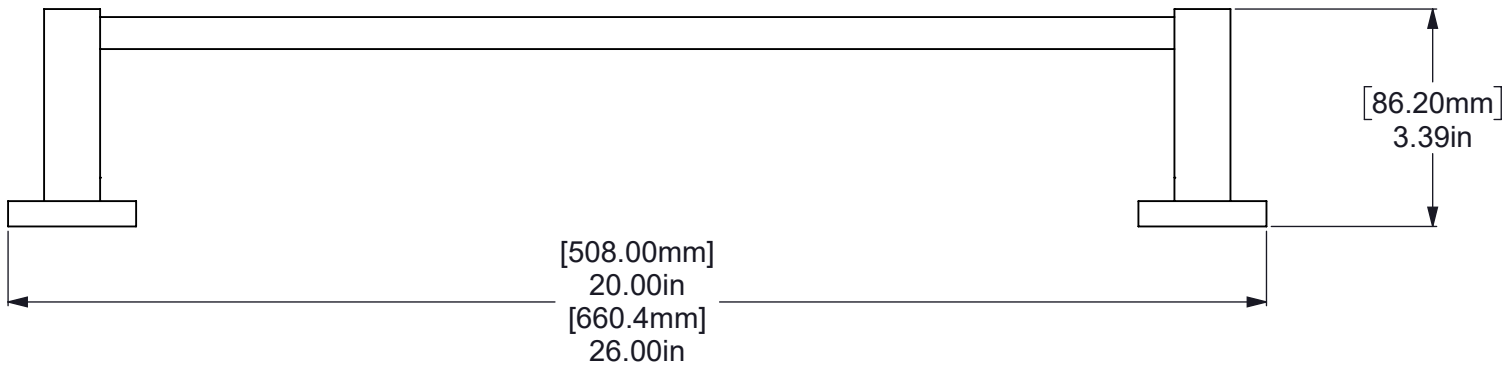
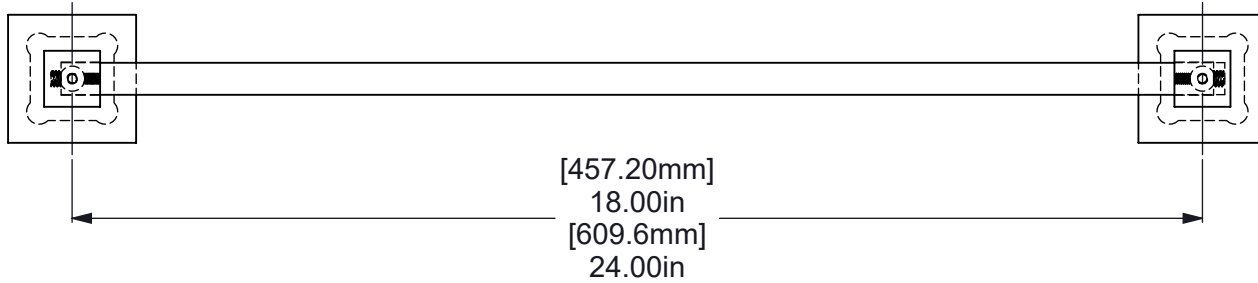
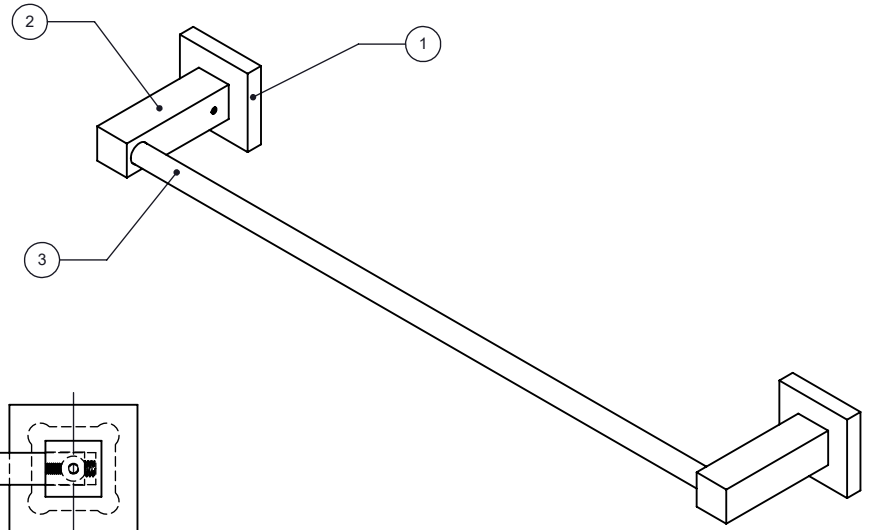


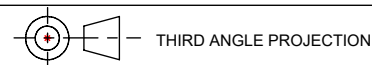
ITEM #	PART NO.	DESCRIPTION	QTY
1	BPES	BACKPLATE	1
2	TBES-3	TOWEL BAR POST	1
3	TU12-18,24	TUBE	1



UNLESS OTHERWISE STATED

.X	±.3mm
.XX	±.15mm
.XXX	±.008mm

COPYRIGHT © Allied Brass 2022



DRAWN	10/14/2022	I.M
CHECKED	10/14/2022	R.P
APPROVED	10/14/2022	R.A

MATERIAL:	BRASS
DESCRIPTION:	Dayton Collection Towel Bar



FINISH	TBD
QUANTITY	TBD
DRAWING No.	REV
DY-41	0
SCALE	1:3
SHEET: 01	A4