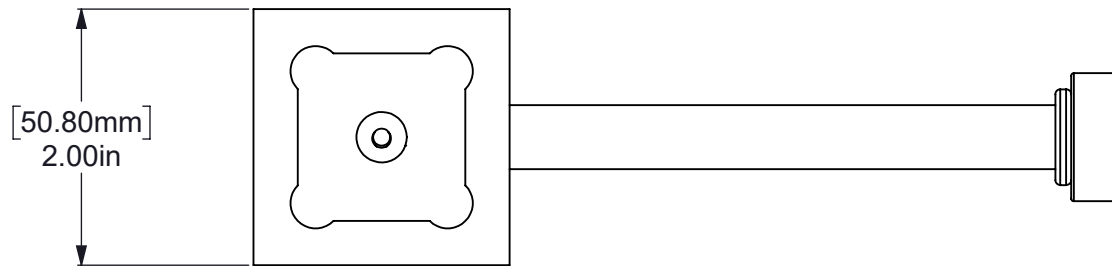
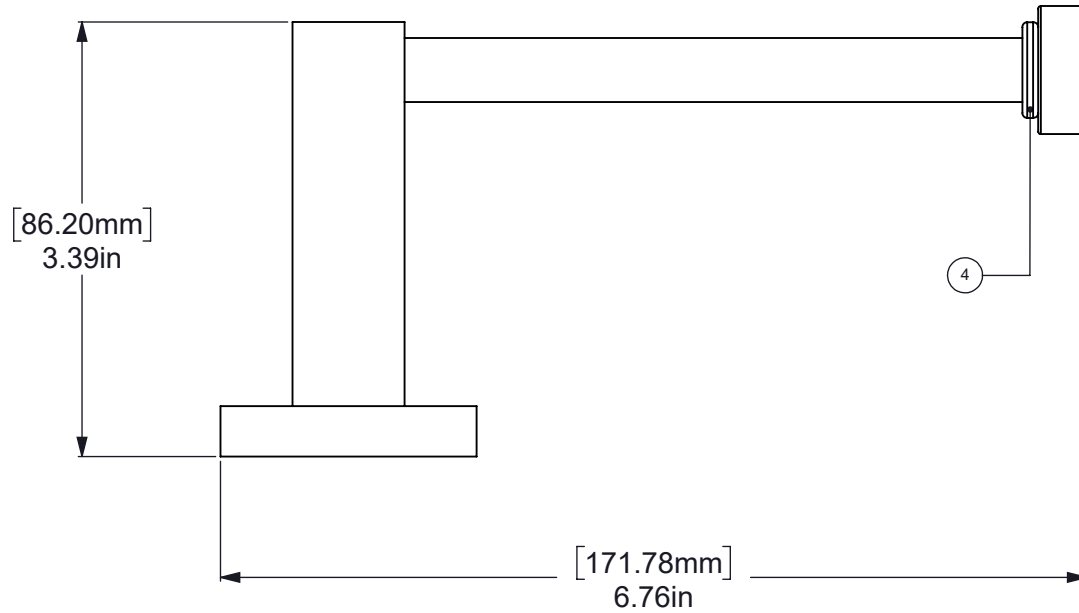
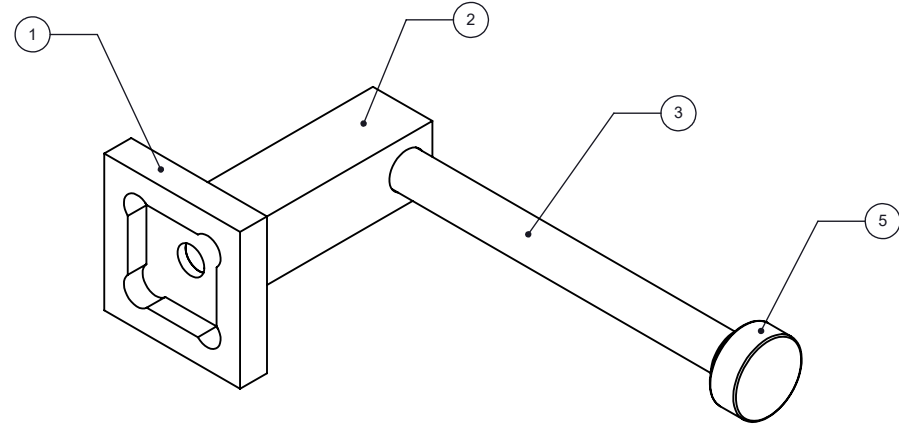


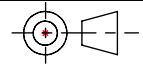
ITEM #	PART NO.	DESCRIPTION	QTY
1	BPES	BACKPLATE	1
2	TBES-3	TOWEL BAR POST	1
3	TU12-5.5	TUBE	1
4	CRRD-12	1/2" CHECK RING	1
5	CARD-1	1" CAP	1



UNLESS OTHERWISE STATED

.X	±.3mm
.XX	±.15mm
.XXX	±.008mm

COPYRIGHT © Allied Brass 2022



THIRD ANGLE PROJECTION

DRAWN	10/5/2022	I.M
CHECKED	10/5/2022	R.P
APPROVED	10/5/2022	R.A

MATERIAL:	BRASS		FINISH	TBD
DESCRIPTION:	<p>Dayton Collection Euro Style Toilet Paper Holder</p> 		QUANTITY	TBD
			DRAWING No.	REV
			DY-24E	0
SCALE	1:1.5	SHEET: 01	A4	