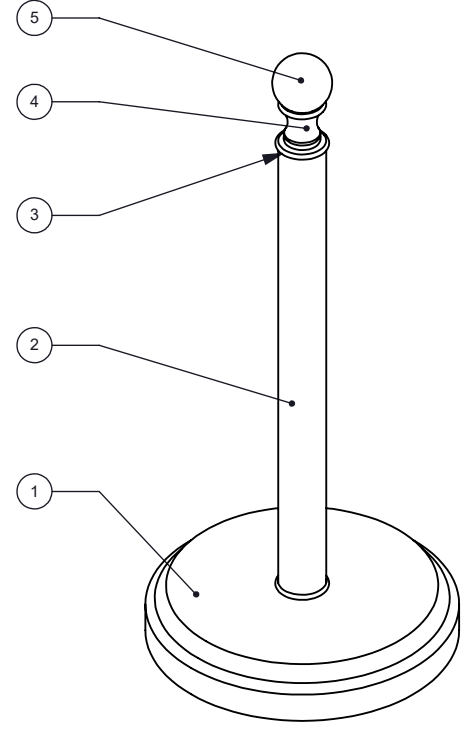
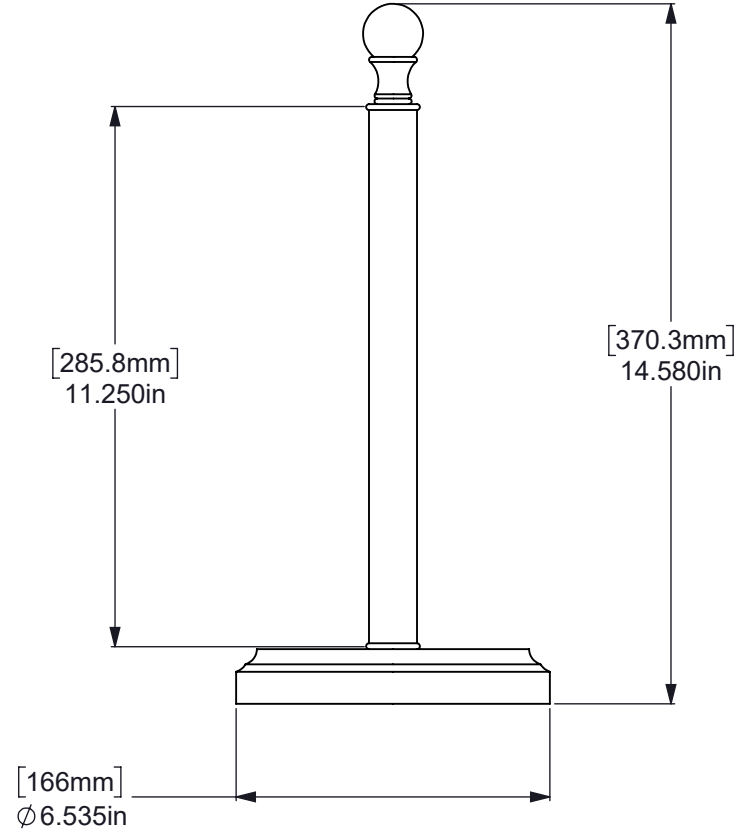


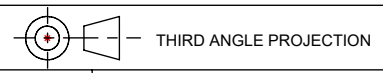
ITEM NO.	PART NUMBER	DESCRIPTION	QTY.
1	BSTD-6.5	BASE	1
2	TU1-11.25	TUBE	1
3	CRRD-1.38	CHECK RING	2
4	KBBD-1	KNOB	1
5	BLAC-1.25	ACRYLIC KNOB	1



UNLESS OTHERWISE STATED

.X	±.3mm
.XX	±.15mm
.XXX	±.008mm

COPYRIGHT © Allied Brass 2023



DRAWN	1/11/2023	I.M
CHECKED	1/11/2023	P.D
APPROVED	1/11/2023	R.A

MATERIAL:	BRASS
DESCRIPTION:	Paper Towel Holder



FINISH	TBD
QUANTITY	TBD
DRAWING No.	REV
CV-1053	0
SCALE	1:8
SHEET: 01	A4