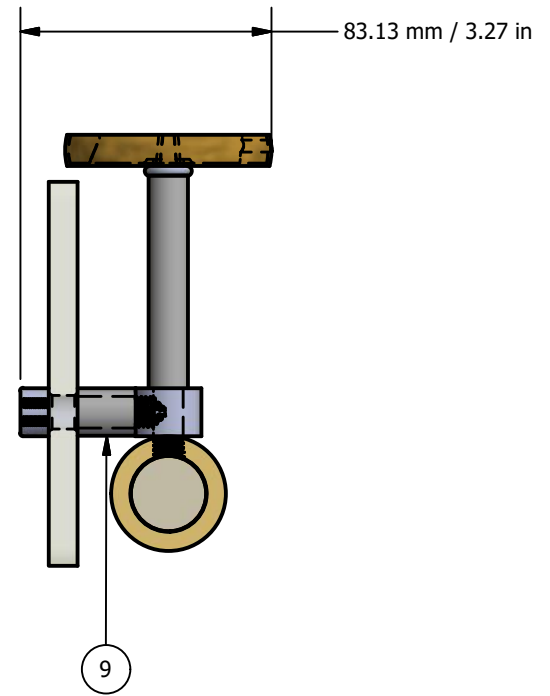
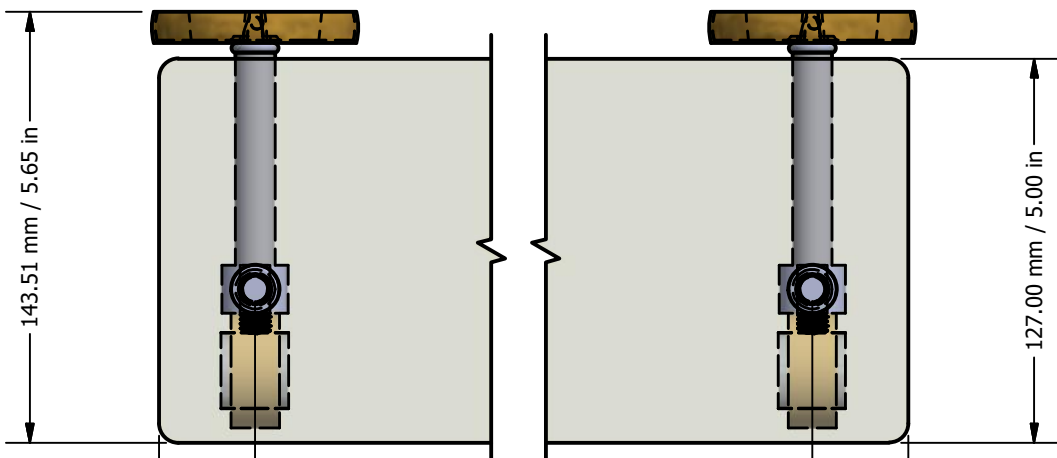
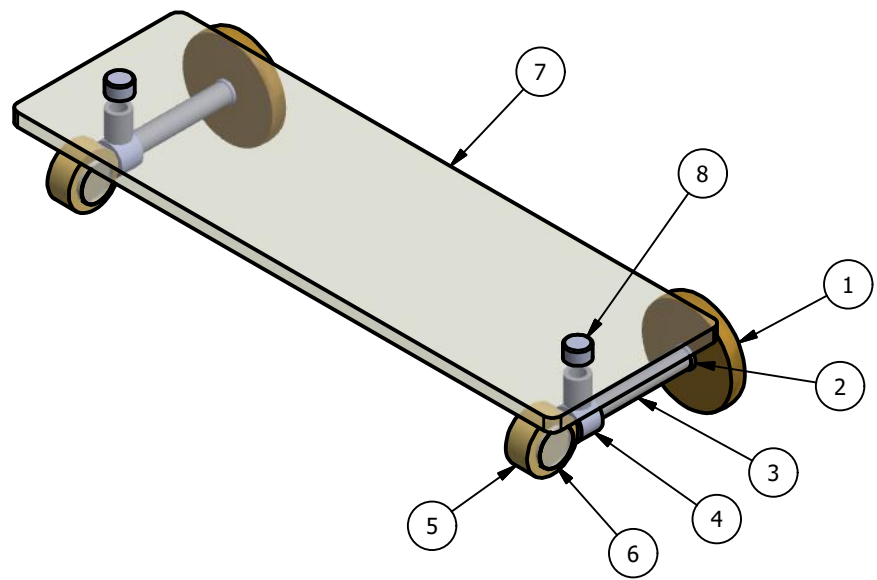


2

1

PARTS LIST

ITEM	QTY	PART NUMBER	DESCRIPTION
1	2	BPRD	BACKPLATE
2	4	CRRD-12	CHECK RING
3	2	TU12-3	TUBE
4	2	MR-TILT-FITT	CONNECTOR
5	2	RGSMT-1	RING WITH NEW SIZE HOLE
6	2	AC-HHUB	ACRYLIC HUB
7	1	GLRT-22	22" GLASS
8	2	CARD-58	CAP
9	2	PSRDS-58	HUB



UNLESS OTHERWISE SPECIFIED	
.X	± .3mm
.XX	± .15mm
.XXX	± .008mm

UNIT IS IN MM.

COPYRIGHT @ALLIEDBRASS 2018

THIRD ANGLE PROJECTION

DRAWN	10-15-18	IM
CHECKED	10-15-18	P.D.
APPROVED	10-15-18	R.A.

MATERIAL: BRASS

DESCRIPTION: Clearview Collection 22 Inch Glass Shelf



APPROVED FOR PRODUCTION

By: RICHARD PAUL
Date: 10-15-18

FINISH	TBD
QTY	TBD
DRAWING NO.	CV-1-22
SCALE	1.5:1 SHEET: 1 OF 1
REV	0

2

1