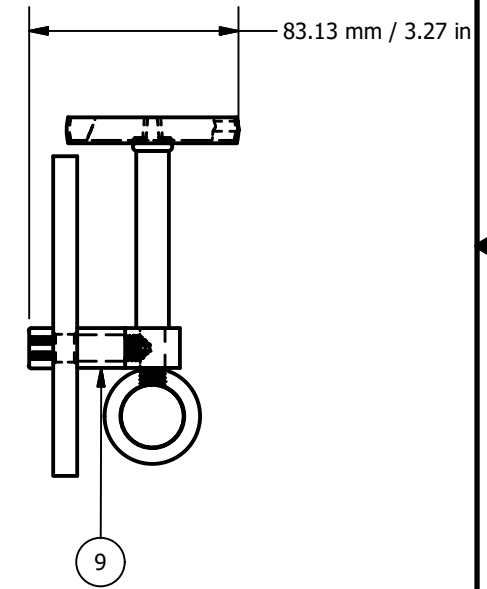
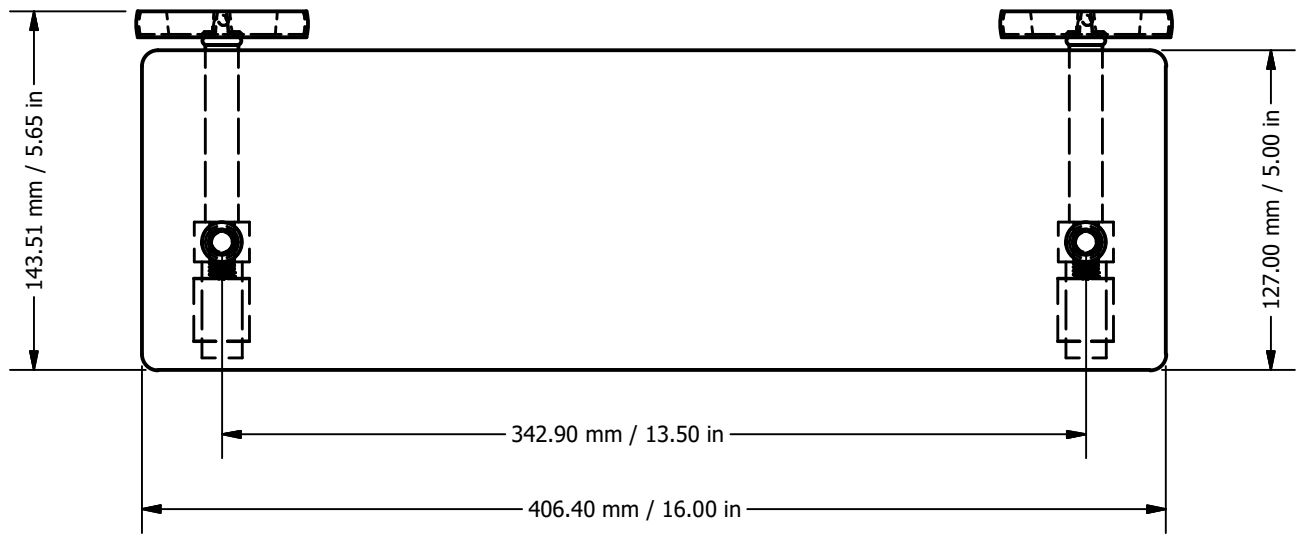
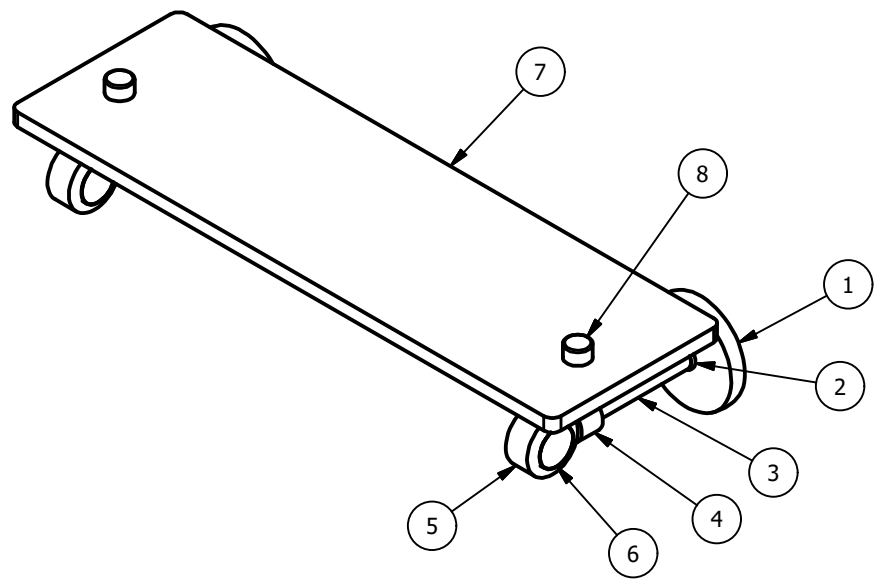


2

1

PARTS LIST

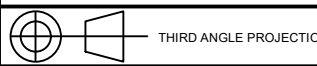
| ITEM | QTY | PART NUMBER | DESCRIPTION |
|------|-----|--------------|-------------------------|
| 1 | 2 | BPRD | BACKPLATE |
| 2 | 4 | CRRD-12 | CHECK RING |
| 3 | 2 | TU12-3 | TUBE |
| 4 | 2 | MR-TILT-FITT | CONNECTOR |
| 5 | 2 | RGSMT-1 | RING WITH NEW SIZE HOLE |
| 6 | 2 | AC-HHUB | ACRYLIC HUB |
| 7 | 1 | GLRT-16 | 16" GLASS |
| 8 | 2 | CARD-58 | CAP |
| 9 | 2 | PSRDS-58 | HUB |



| UNLESS OTHERWISE SPECIFIED | |
|----------------------------|----------|
| .X | ± .3mm |
| .XX | ± .15mm |
| .XXX | ± .008mm |

UNIT IS IN MM.

| DRAWN | 10-15-18 | IM |
|----------|----------|------|
| CHECKED | 10-15-18 | P.D. |
| APPROVED | 10-15-18 | R.A. |



| | | | |
|---|--|-------------|---------------------|
| MATERIAL: BRASS | | FINISH | TBD |
| DESCRIPTION: | | QTY | TBD |
| Clearview Collection 16 Inch Glass Shelf | | DRAWING NO. | |
| | | CV-1-16 | |
| | | SCALE | 1.5:1 SHEET: 1 OF 1 |

APPROVED FOR PRODUCTION
By: RICHARD PAUL
Date: 10-15-18

2

1