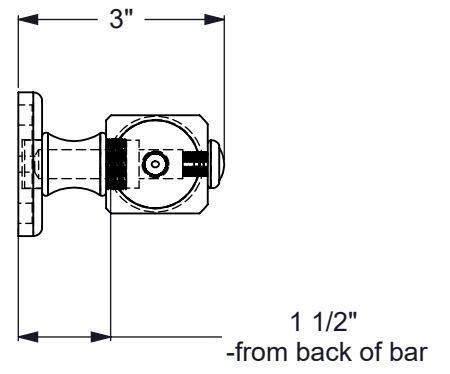
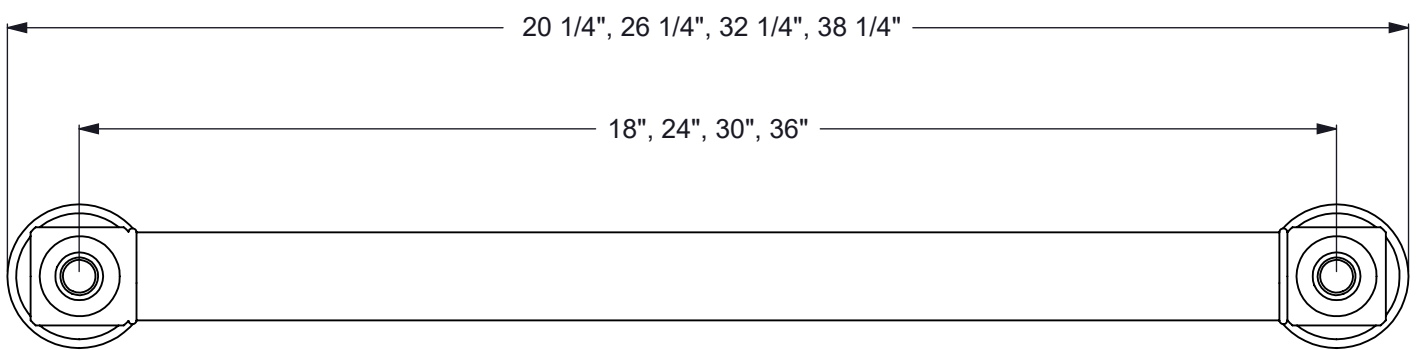
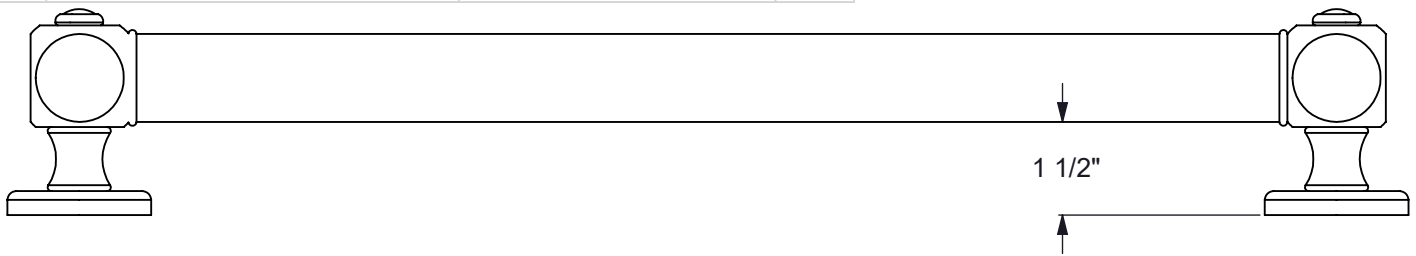
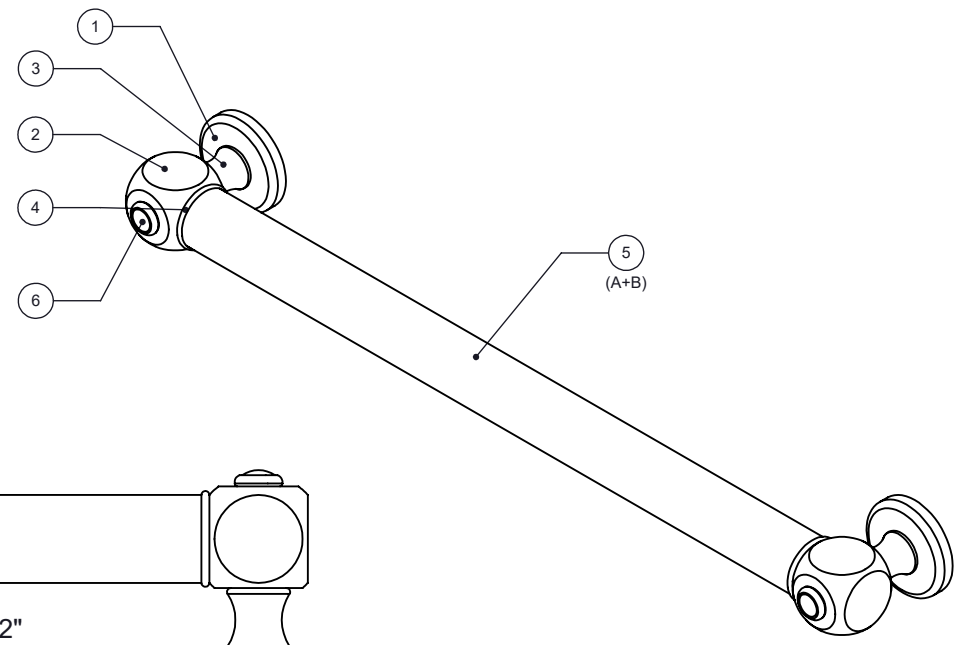
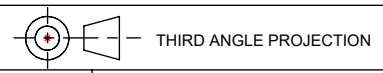



ITEM NO.	PART NUMBER	DESCRIPTION	QTY.
1	BPGBCU	BACKPLATE	2
2	BKGBCU	BRACKET	2
3	PSGBCU	POST	2
4	CRRD-1.38	CHECK RING	2
5(A)	TU138-16.5,22.5,28.5,34.5	TUBE	1
5(B)	TUBGR1.25-16.5,22.5,28.5,34.5	TUBE	1
6	CAPGBCU	CAP	2
7	WOOD SCREW -12	#12 WOOD SCREW	2



UNLESS OTHERWISE STATED	
.X	±.3mm
.XX	±.15mm
.XXX	±.008mm

COPYRIGHT © Allied Brass 2023



DRAWN	1/14/2023	I.M	MATERIAL:	BRASS	FINISH	TBD
CHECKED	1/14/2023	P.D	DESCRIPTION:		QUANTITY	TBD
APPROVED	1/14/2023	R.A	Cube Design Grab Bar		DRAWING No.	REV
					CU-GRS/CU-GRR	0
SCALE		1:3	SHEET: 01		A4	