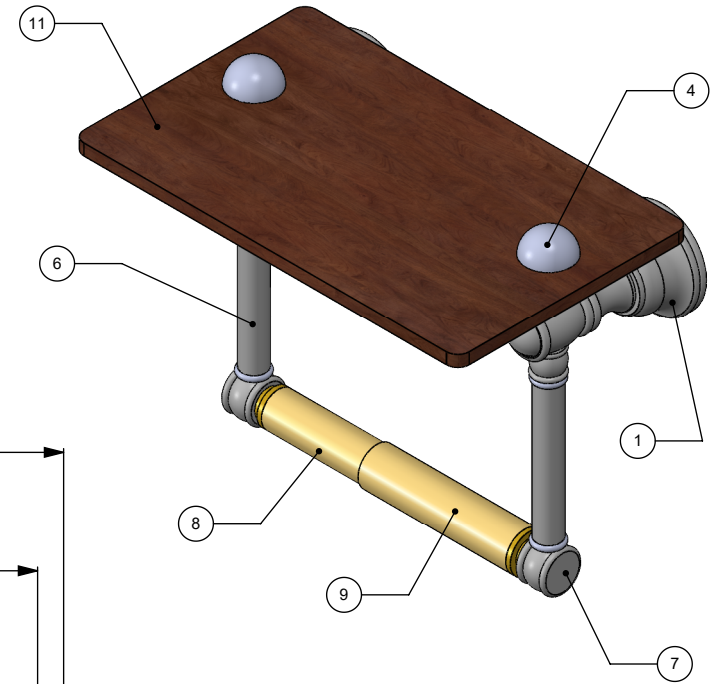
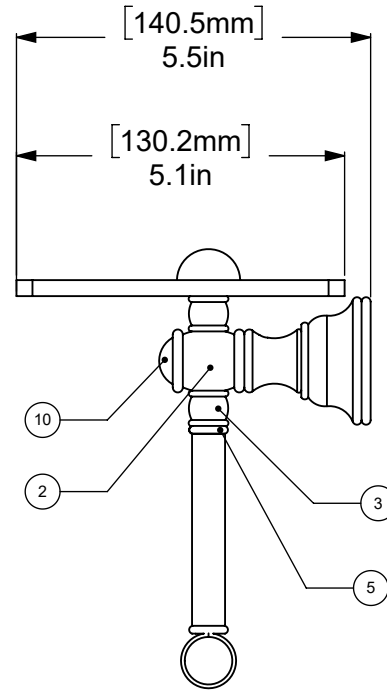
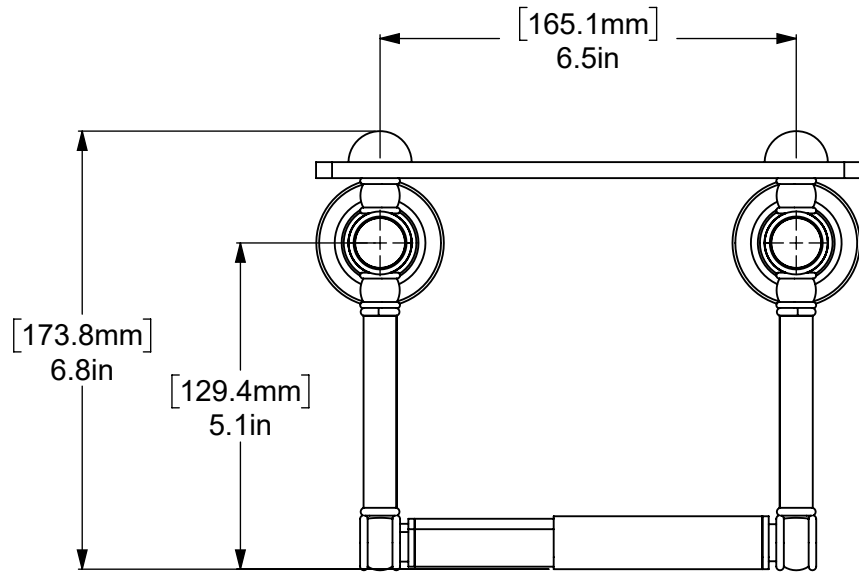


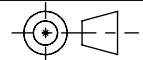
ITEM #	PART NO.	DESCRIPTION	QTY
1	TBBS-2-UN	BACKPLATE	2
2	RGPS-2-UN	POST	2
3	PSRD-58-UN	HUB	4
4	CAHR-1-UN	CAP	2
5	CRRD-12-UN	CK RING	4
6	TU12-3-UN	TUBE	2
7	CLHB2T-78-UN	HUB	2
8	RLB-L-UN	ROLLER - LEFT	1
9	RLB-R-UN	ROLLER - RIGHT	1
10	CL-CAP-UN	CAP	2
11	IRWRT-8-2	WOOD SHELF	1




UNLESS OTHERWISE STATED

.X	±.3mm
.XX	±.15mm
.XXX	±.008mm

COPYRIGHT © Allied Brass 2022



THIRD ANGLE PROJECTION

DRAWN	5/25/2022	I.M	MATERIAL:	BRASS	FINISH	TBD
CHECKED	5/25/2022	R.P	DESCRIPTION:		QUANTITY	TBD
APPROVED	5/25/2022	R.A	CAROLINA 2 POST T.P. HLDR W/ WOOD SHELF		DRAWING No.	REV
					CL-GLT-24-IRW	0
				SCALE	1:3	SHEET: 01 A4