

INSTALLATION INSTRUCTIONS

Step 1: Attached the 2 Mounting Plate Assemblies to the Ceiling.(Fig. 1.0)

NOTE: *Screws are provided for fastening through drywall and into solid wood above the ceiling.*

Find and mark the proper locations on the ceiling to support the two hanging vertical mirror arms, which are exactly 18" apart on center.

Insert screw (C) into the larger hole end of Mounting Plate Post (B) and then through the center hole of Ceiling Plate (A). Fasten two of these assemblies to the ceiling on the marks.

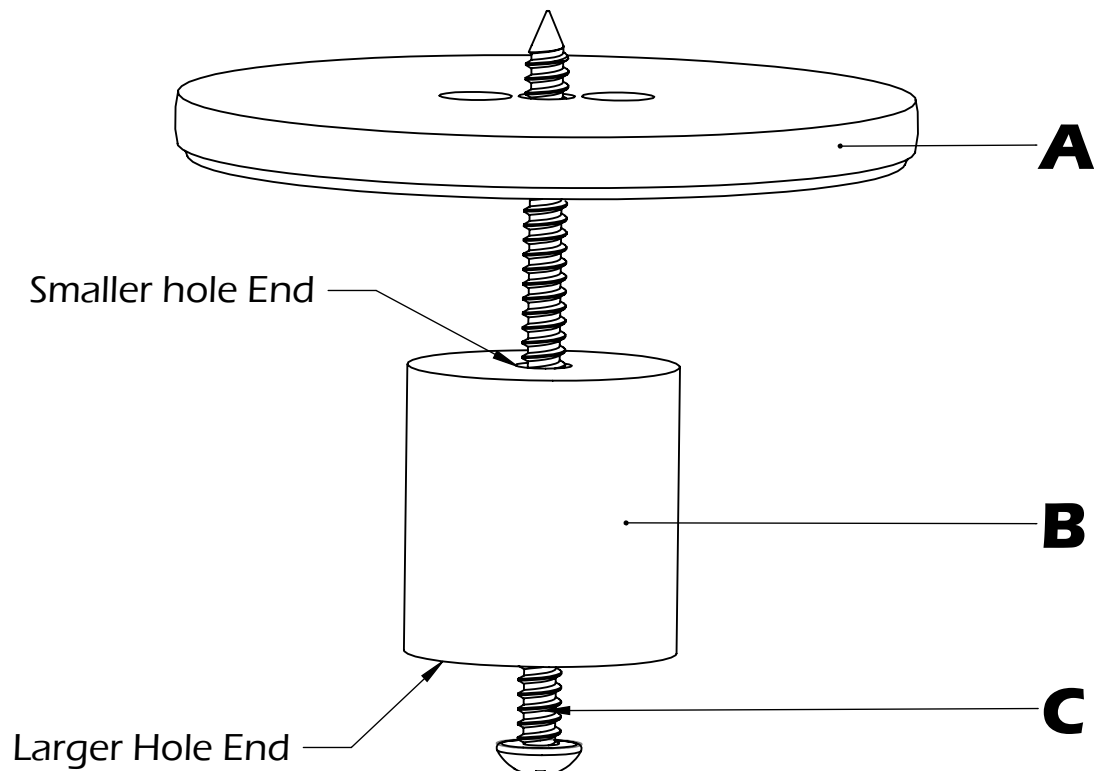


FIG. 1.0

Step 2: Install the Vertical Mirror Arm Sections. (Fig. 2.0)

Note the overall and ceiling down to center of mirror dimensions in drawing Fig 3.0. To reduce these, cut the exact same amount off 2 of the 26" All Thread Tubes (H) and 2 of the Finished Tubes (E) with a hacksaw prior to assembly.

Thread a 36" All Thread Tube (D) all the way into the Mounting Plate Post (B) on the ceiling. Slip a Finished Tube (E) upward over the 36" All Thread Tube (D) followed by a double sided Check Ring (F). Then, thread on a Threaded Rod Joiner (G) to the end of the 36" All Thread Tube (D).

Next, thread on a 26" All Thread Tube (H) tight into the bottom of the Threaded Rod Joiner (G). Slip a Finished Tube (E) up over the 26" All Thread Tube (H). Follow by screwing on the Mirror Connector Hub Assembly (J) tightly onto the 26" All Thread Tube (H) finishing with one of the two Round Metal Caps (K) facing forward.

Repeat Step 2: To install the second vertical mirror arm.

Step 3: Hang the Glass Mirror. (Fig. 3.0)

Note: Your ceiling hung mirror comes standard with two glass mirrors for mounting back to back on the vertical arms. The installation of both glass mirror pieces is required to ensure the hanging arms are balanced properly. It is suggested to have two people to complete this final step.

Remove both of the back facing Metal Caps (K) on the two Mirror Connector Hubs (J). Slip off 2 of the 4 Clear Washers (L) leaving 2 on each. Hang the back facing Glass Mirror (N) by having one person support its weight while the other person aligns and slips both back facing Threaded Hub Nipples (M) through the holes in the mirror. Slip the removed 2 Clear Washers (L) onto each nipple and screw on the Metal Caps (K) hand tight.

Do the same to install the front facing mirror.

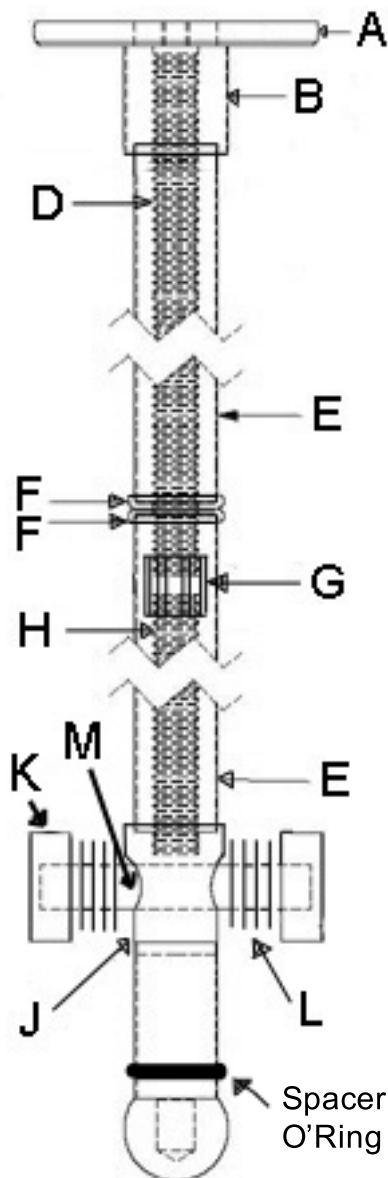


FIG. 2.0

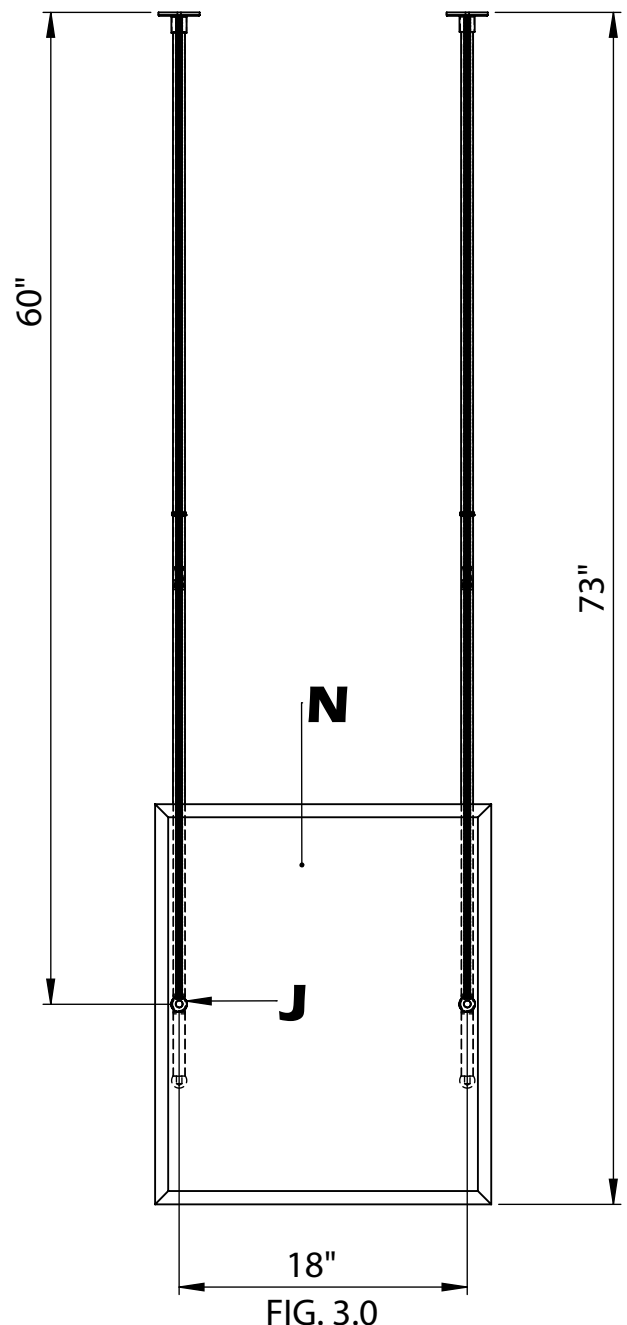


FIG. 3.0