

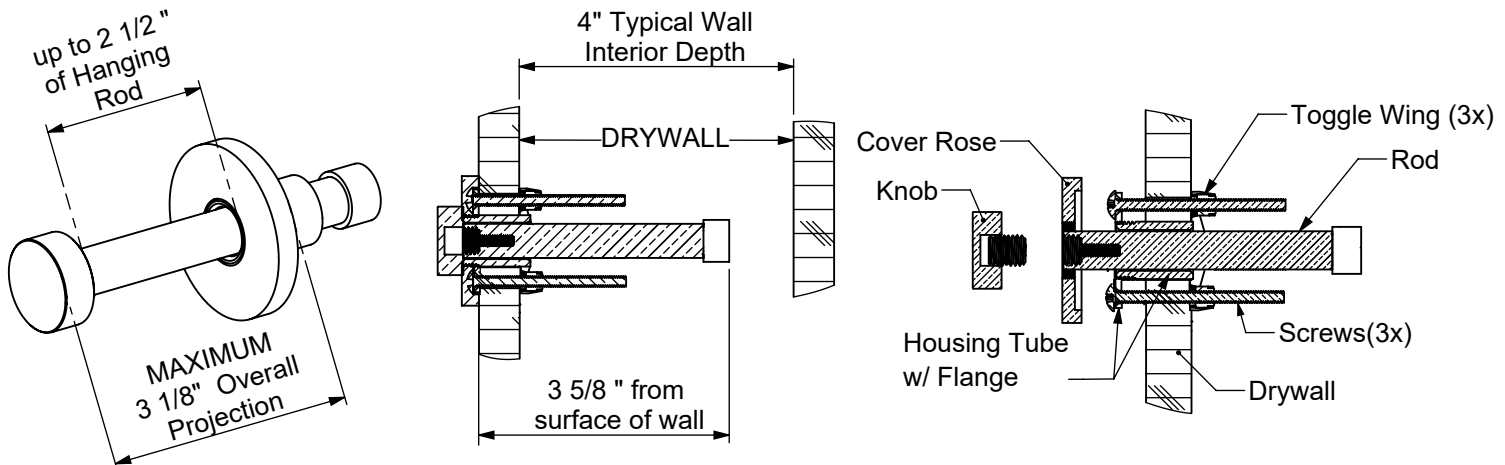
CC-22-Pull Out Wall Hook For Interior Walls



INSTALLATION INSTRUCTIONS

Designed to mount on drywall between studs and without the need for additional bracing inside the wall.

Note: The hook should not be installed closer than 2" to a stud or cross member in the wall. Use a studfinder to help select your installation location.



1. Using a 5/32" bit, drill through just the thickness of the drywall at the installation location being careful to stop the drill when it cuts through. Using a thin item, probe through the hole to check for any other obstructions inside the depth of the wall. If clear, using a 3/4" bit, enlarge the through hole.
2. Remove the Knob, Cover Rose, and Rod from the Housing Tube w/ Flange. Slip the Housing Tube w/ Flange into the hole with one of the flange holes positioned at the bottom. Mark the 3 screw hole locations on the wall, then remove the housing unit. (A)
3. Using the 5/32" bit, drill through the wall on the first mark. Then with the drill through the wall, push the side of the drill towards the center of the 3/4" dia. hole until it cuts through creating a slot. Repeat on the 2 remaining marks. (B)

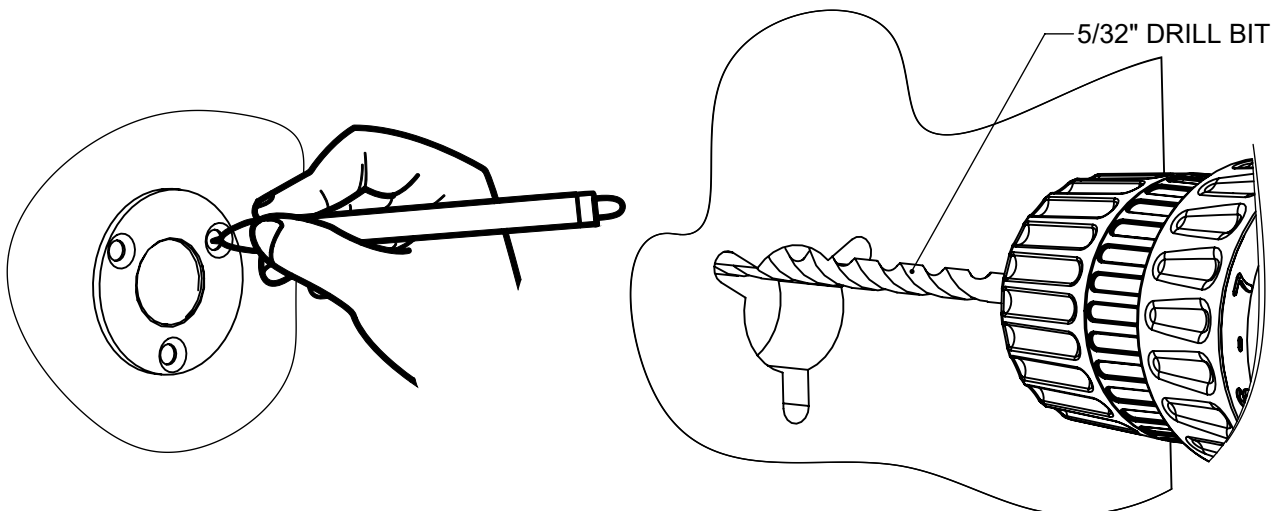


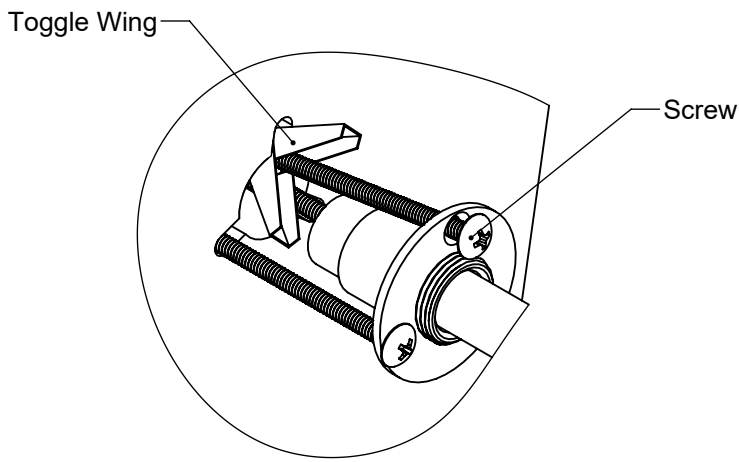
DIAGRAM (A)

DIAGRAM (B)

CC-22-Pull Out Wall Hook For Interior Walls (Page 2)



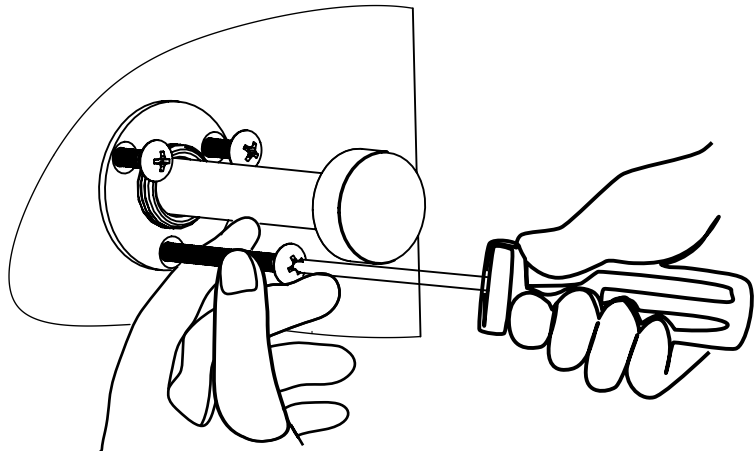
INSTALLATION INSTRUCTIONS

4. Re-assemble the Hook by slipping the rod through the housing tube with the open end of the rod on the flange side. Leaving off the Cover Rose temporarily, screw the knob back on. Next, slip the 3 screws through the flange holes and screw on toggle wings just a few turns.
5. Insert the first toggle into the hole in the wall and slide it into a slot. Repeat with the remaining 2 toggles. 

Toggle Wing

Screw

DIAGRAM 

6. Slip the Housing Tube into the hole with Rod pulled out. Tighten the screws while pulling on them slightly to keep the toggle wings firmly up against the inside of the drywall. 

Note: Keep checking to see that the toggle wings are not positioned where they interfere with the rod sliding in and out. 

Inside Wall View

DIAGRAM 

DIAGRAM 

7. Remove the Knob being careful not to let the rod slide into the wall. Screw on the Cover Rose followed by the Knob.

Note: The hook also comes supplied with an 8-32 (standard cabinet knob thread size) fastener to use if you choose to supply your own knob tip.