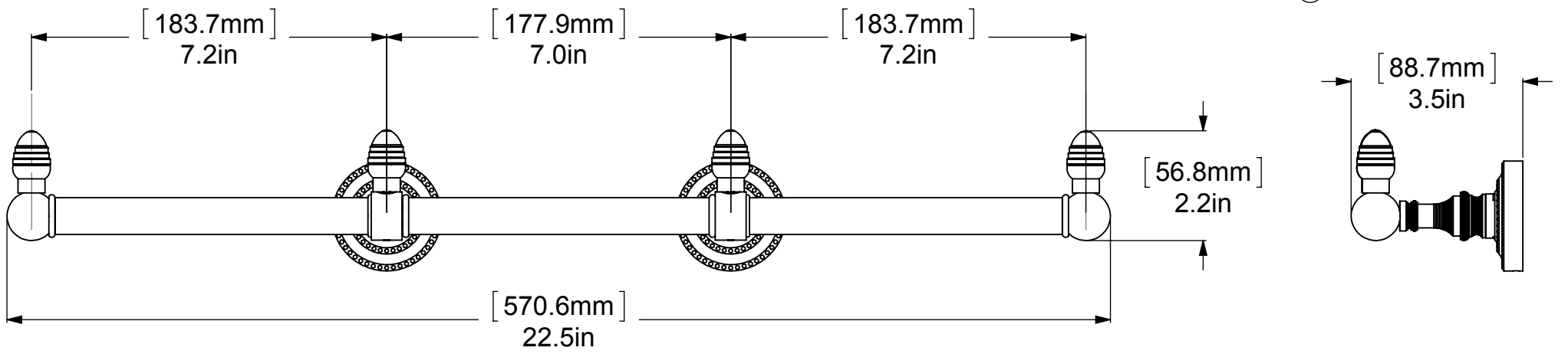
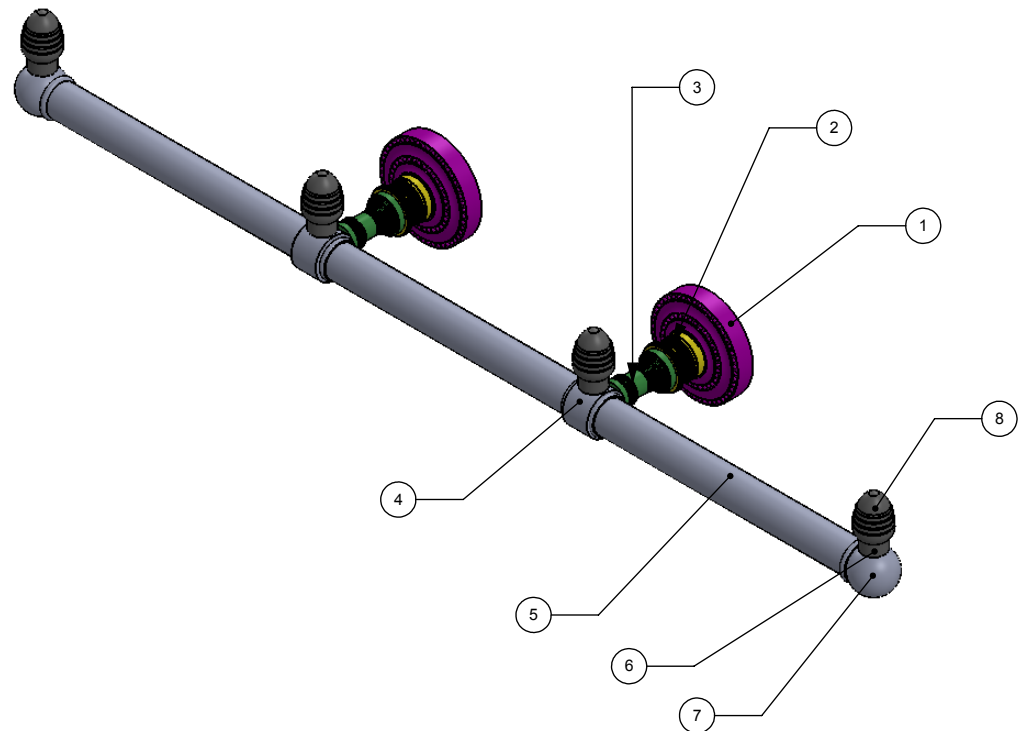


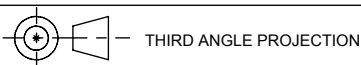
| ITEM NO. | P/N | Description | QTY. |
|----------|-----------|-------------|------|
| 1 | BPDT | BACKPLATE | 2 |
| 2 | NKSL-58 | Neck | 2 |
| 3 | NKSL-1.25 | SUPPORT | 2 |
| 4 | HB2T-1 | HUB | 2 |
| 5 | TU34-6.5 | TUBE | 3 |
| 6 | CRRD-34 | RING | 6 |
| 7 | BL2T-1 | END BALL | 2 |
| 8 | KBGT-1 | TOP | 4 |



UNLESS OTHERWISE STATED

| | |
|------|---------|
| .X | ±.3mm |
| .XX | ±.15mm |
| .XXX | ±.008mm |

COPYRIGHT © Allied Brass 2016



| | | |
|----------|----------|-----|
| DRAWN | 5/3/2016 | I.M |
| CHECKED | 5/3/2016 | P.D |
| APPROVED | 5/3/2016 | R.A |

MATERIAL: BRASS
 DESCRIPTION: TOWEL HOLDER

| | |
|-------------|--------------|
| FINISH | TBD |
| QUANTITY | TBD |
| DRAWING No. | REV |
| BPDT-HTB -3 | 0 |
| SCALE | SHEET: 01 A4 |
| 1:3 | |