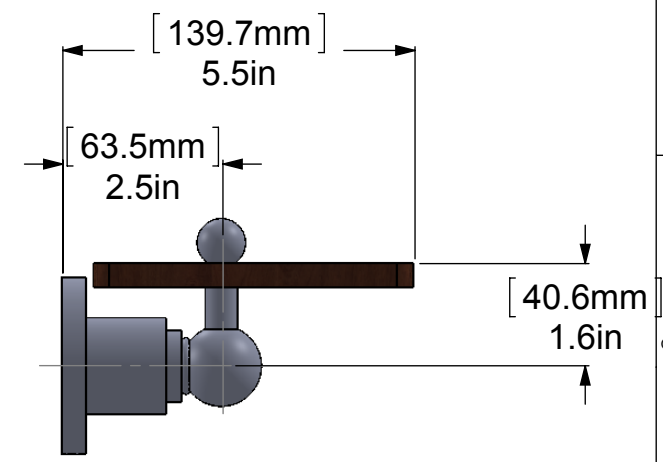
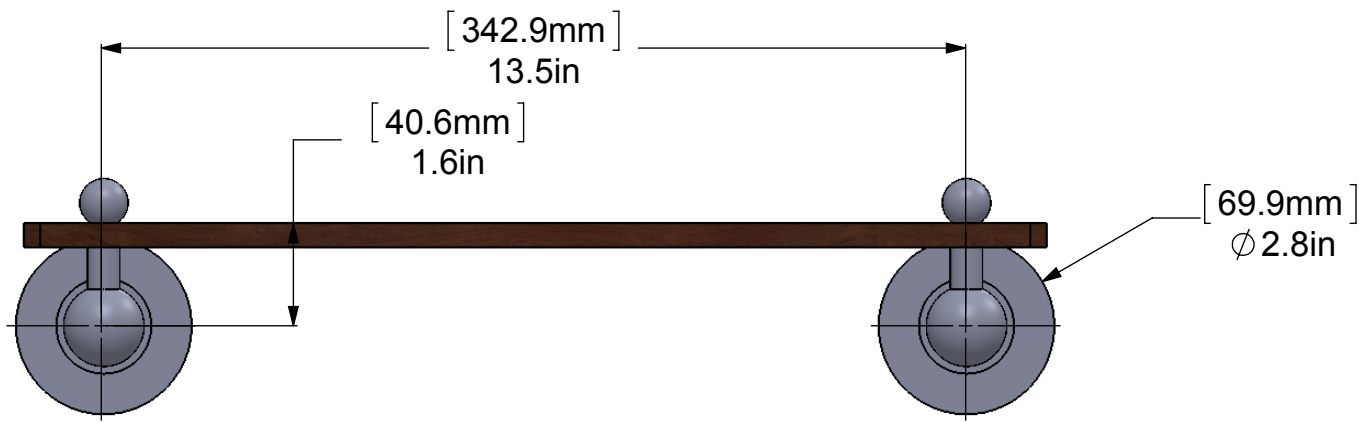
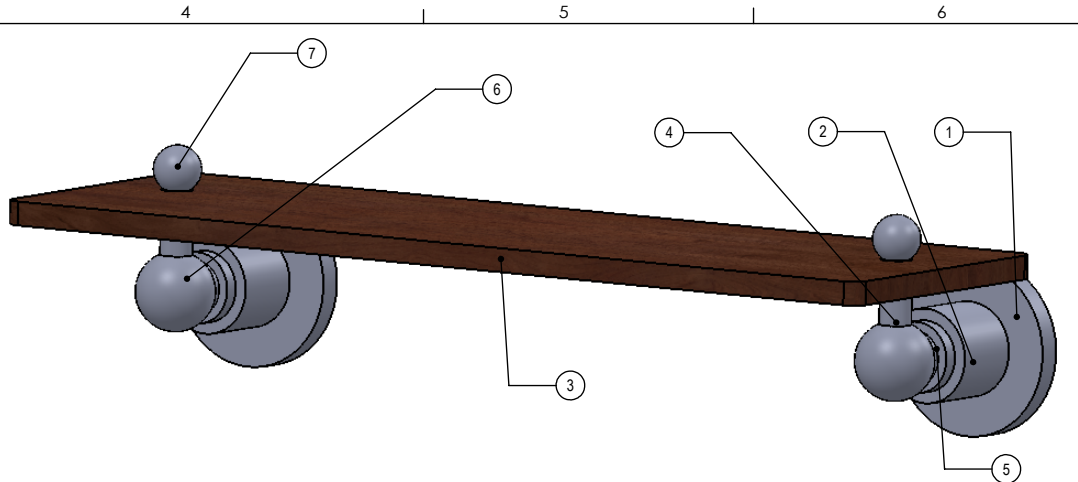
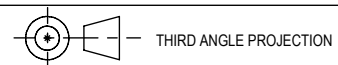


ITEM NO.	PART NUMBER	DESCRIPTION	QTY.
1	BPRD	Base	2
2	WASP	NECK	2
3	IRWRT-16	WOOD SHELF	1
4	TU12-.75"	SUPPORT TUBE	2
5	CRRD-34	RING	2
6	BL2TD-1.25	LOWER BALL	2
7	BL1T-34	End Ball	2



UNLESS OTHERWISE STATED	
.X	±.3mm
.XX	±.15mm
.XXX	±.008mm

COPYRIGHT © Allied Brass 2016



DRAWN	10/5/2016	I.M
CHECKED	10/5/2016	P.D
APPROVED	10/5/2016	R.A

MATERIAL:	BRASS
DESCRIPTION:	WOOD SHELF



FINISH	TBD
QUANTITY	TBD
DRAWING No.	REV
AP-1-16-IRW	0
SCALE	1:3
SHEET: 01	A4