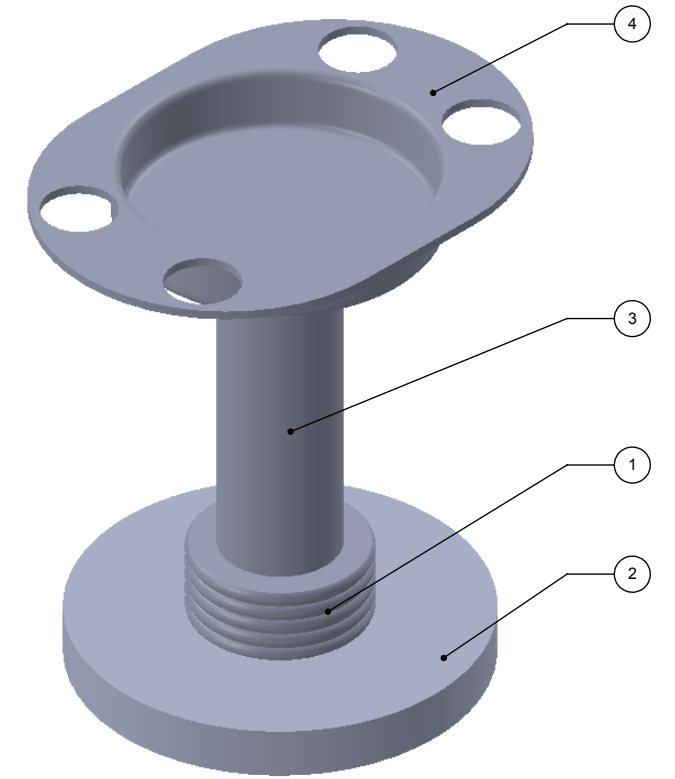
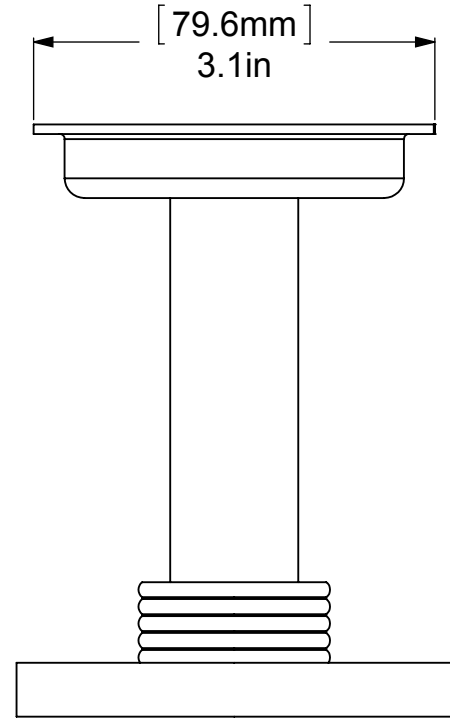
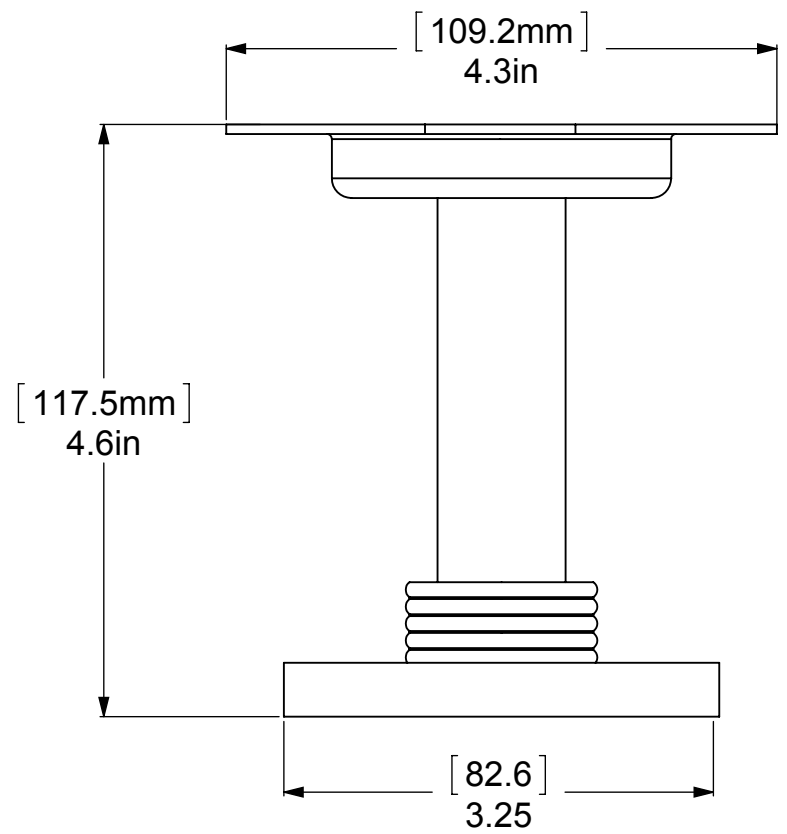


ITEM NO.	P/N	DESCRIPTION	QTY.
1	RGV	HUB	1
2	BSRD-3.25	BASE	1
3	TU1-3	TUBE	1
4	HROVT	PLATE	1



UNLESS OTHERWISE STATED

.X	±.3mm
.XX	±.15mm
.XXX	±.008mm

COPYRIGHT © Allied Brass 2017



DRAWN	7/6/2017	I.M
CHECKED	7/6/2017	P.D
APPROVED	7/6/2017	R.A

MATERIAL:	BRASS
DESCRIPTION:	Tumbler and Toothbrush Holder



FINISH	TBD
QUANTITY	TBD
DRAWING No.	955G
REV	0
SCALE	1:1.5
SHEET: 01	A4