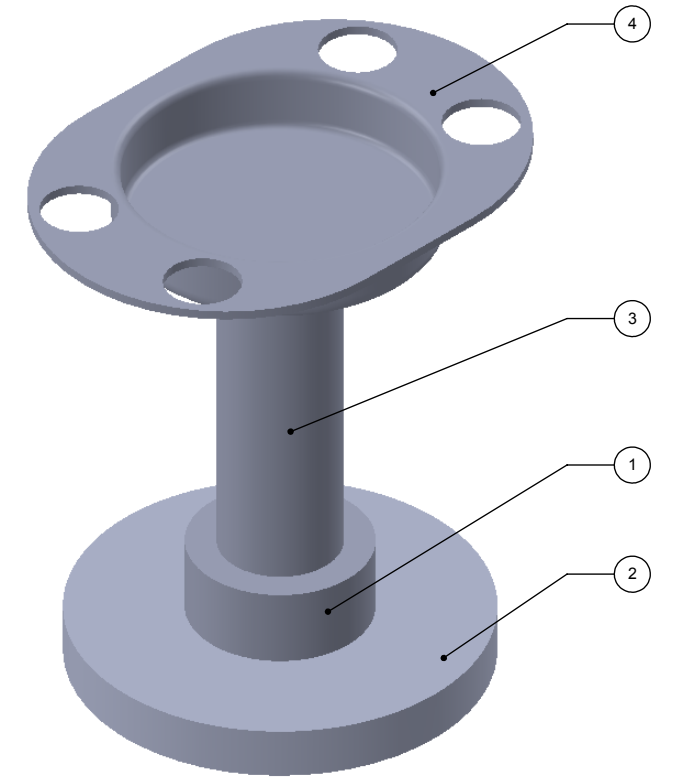
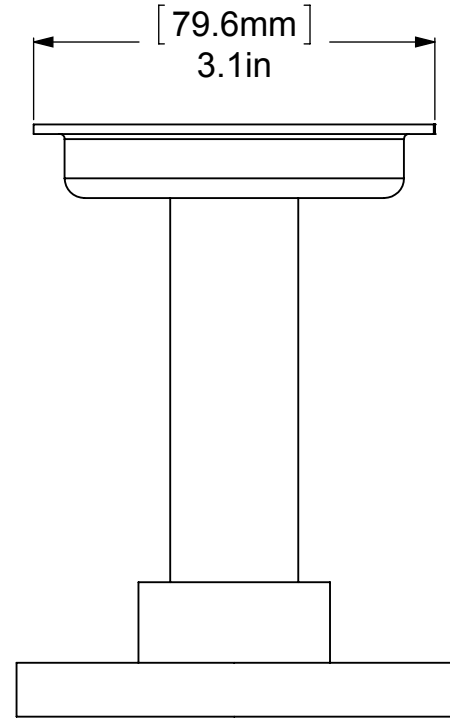
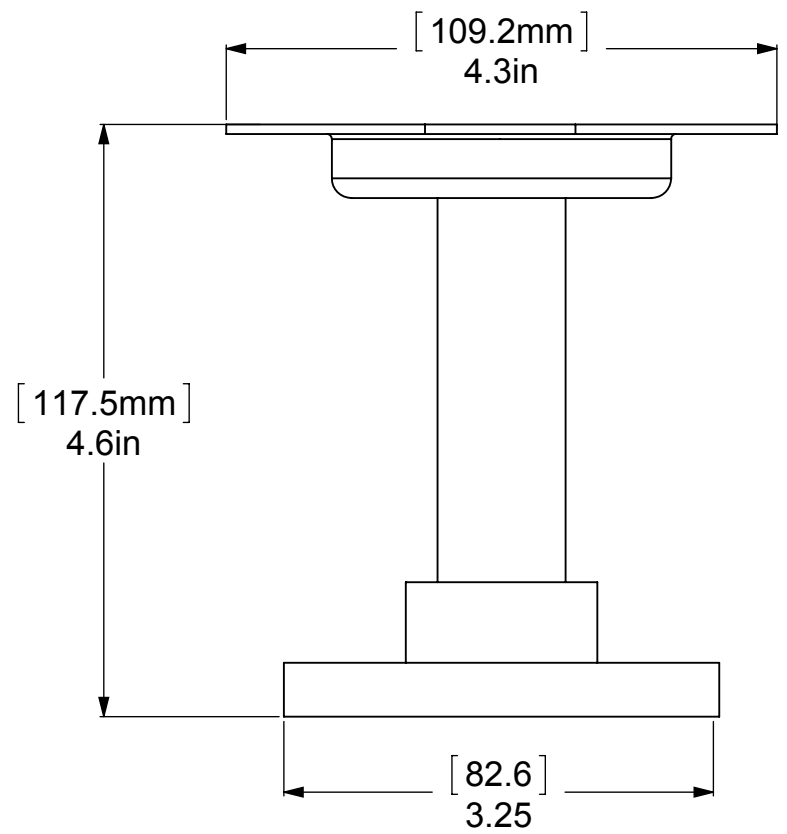


| ITEM NO. | P/N | DESCRIPTION | QTY. |
|----------|-----------|-------------|------|
| 1 | RGSM | HUB | 1 |
| 2 | BSRD-3.25 | BASE | 1 |
| 3 | TU1-3 | TUBE | 1 |
| 4 | HROVT | PLATE | 1 |



UNLESS OTHERWISE STATED

| | |
|------|---------|
| .X | ±.3mm |
| .XX | ±.15mm |
| .XXX | ±.008mm |

COPYRIGHT © Allied Brass 2017



| | | |
|----------|----------|-----|
| DRAWN | 7/6/2017 | I.M |
| CHECKED | 7/6/2017 | P.D |
| APPROVED | 7/6/2017 | R.A |

| | |
|--------------|-------------------------------|
| MATERIAL: | BRASS |
| DESCRIPTION: | Tumbler and Toothbrush Holder |



| | |
|-------------|-------|
| FINISH | TBD |
| QUANTITY | TBD |
| DRAWING No. | 955 |
| REV | 0 |
| SCALE | 1:1.5 |
| SHEET: 01 | A4 |