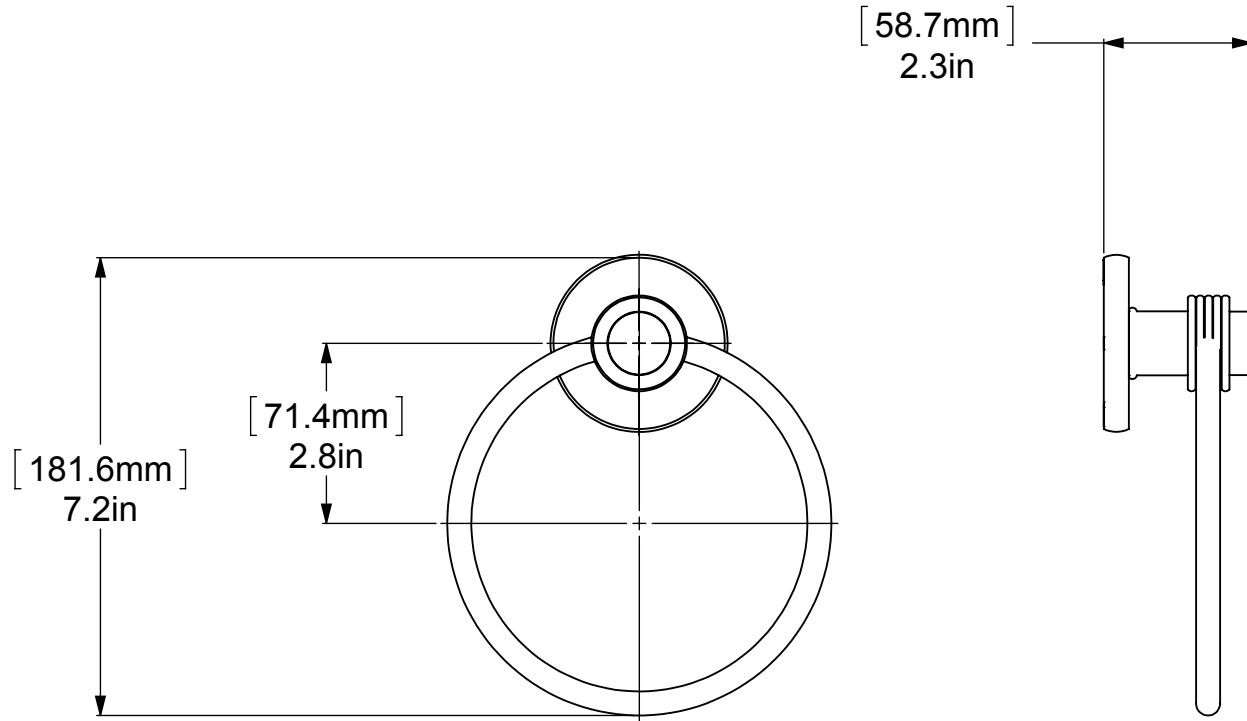
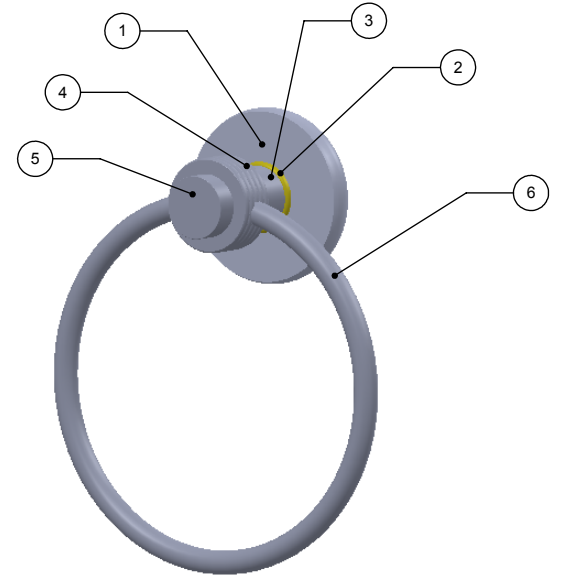


ITEM NO.	PART NUMBER	DESCRIPTION	QTY.
1	BPRD	BASE	1
2	CRRD-1	CHECK RING	1
3	TU1-1	TUBE	1
4	RGGVR	HUB	1
5	CARD-1	CAP	1
6	TRMT-6	RING	1




UNLESS OTHERWISE STATED	
.X	±.3mm
.XX	±.15mm
.XXX	±.008mm

COPYRIGHT © Allied Brass 2017



THIRD ANGLE PROJECTION

DRAWN	7/6/2017	I.M	MATERIAL:	BRASS	FINISH	TBD
CHECKED	7/6/2017	P.D	DESCRIPTION:		QUANTITY	TBD
APPROVED	7/6/2017	R.A	Mercury Collection Towel Ring		DRAWING No.	REV
					916G	0
				SCALE	1:3	SHEET: 01 A4