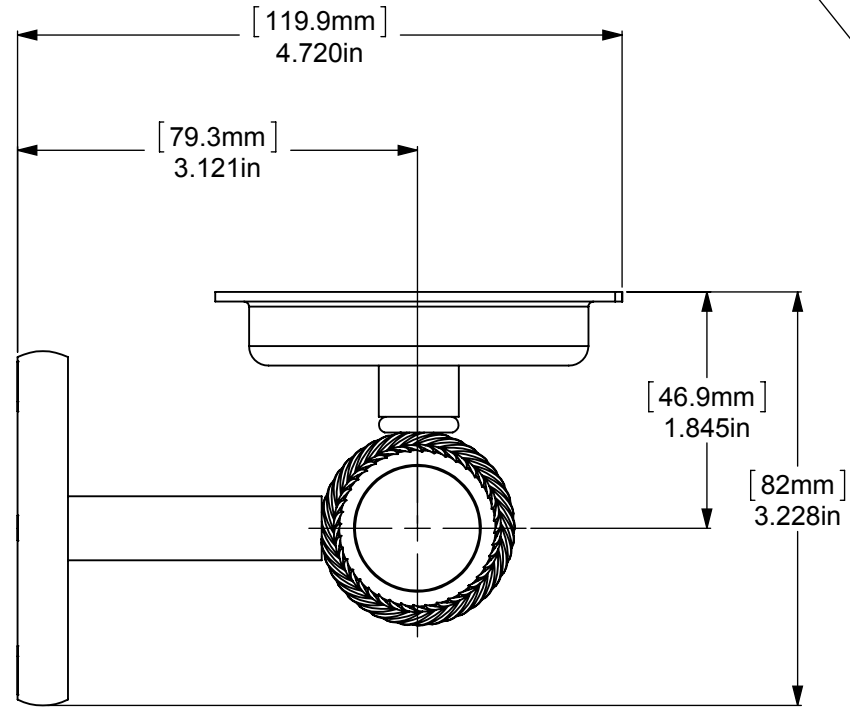
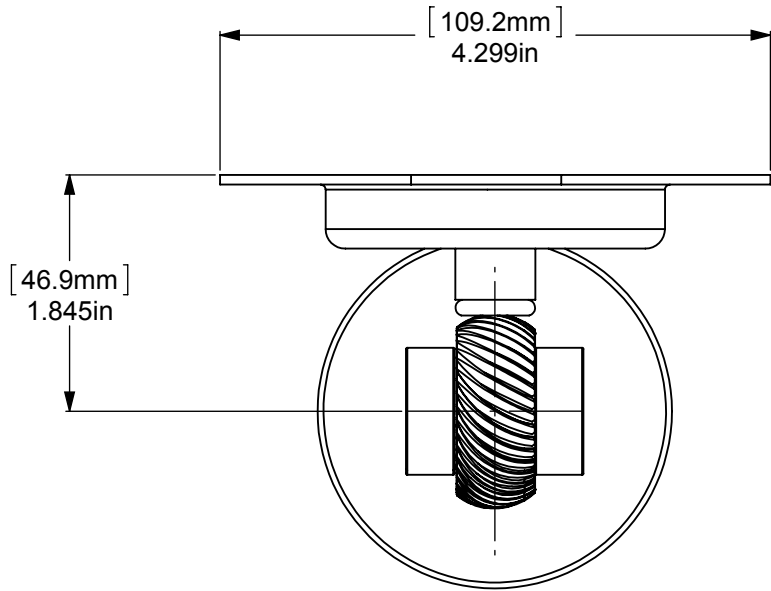
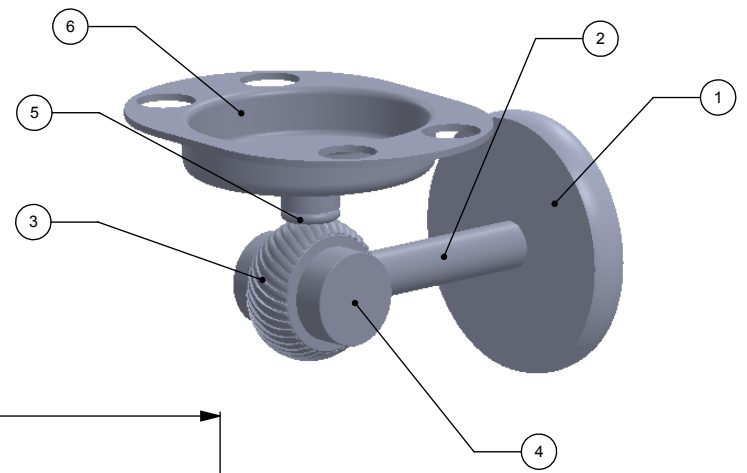
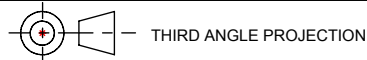


1	BPRD	BASE	1
2	TU12-2	TUBE	1
3	RGTWD	CONNECTOR	1
4	Card-1	END LOCK	2
5	CRRD-12	CHECK RING	1
6	HROVT	PLATE	1



UNLESS OTHERWISE STATED	
.X	±.3mm
.XX	±.15mm
.XXX	±.008mm

COPYRIGHT © Allied Brass 2019



APPROVED FOR PRODUCTION
 By: RICHARD PAUL
 Date: 4-10-19

DRAWN	4-10-19	I.M
CHECKED	4-10-19	P.D
APPROVED	4-10-19	R.A

MATERIAL:	BRASS		FINISH	TBD
DESCRIPTION:	Satellite Orbit Two Collection Tumbler and Toothbrush Holder		QUANTITY	TBD
			DRAWING No.	
			7226T	
SCALE		1:1.5	SHEET: 01	A4