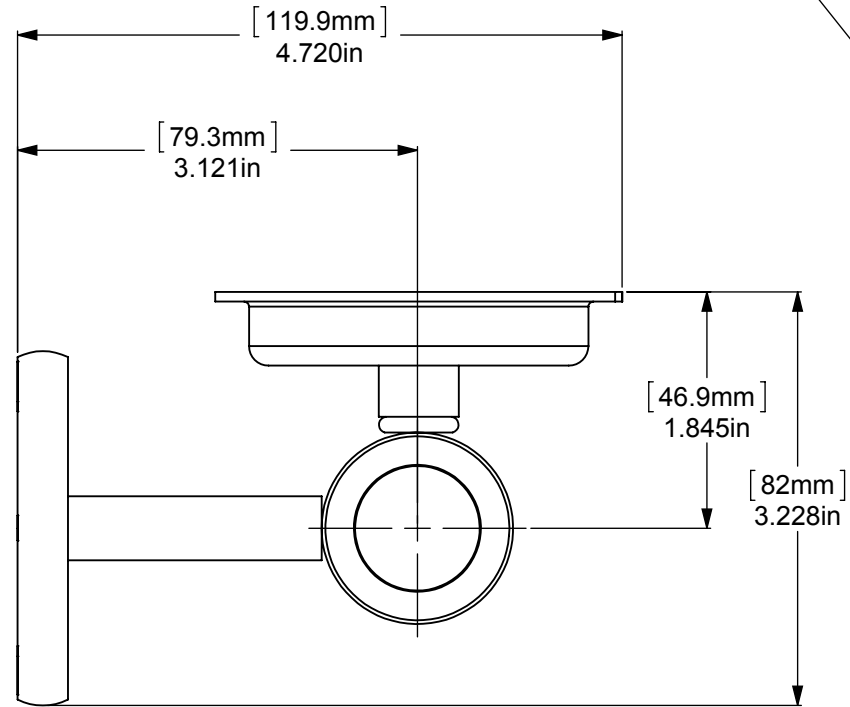
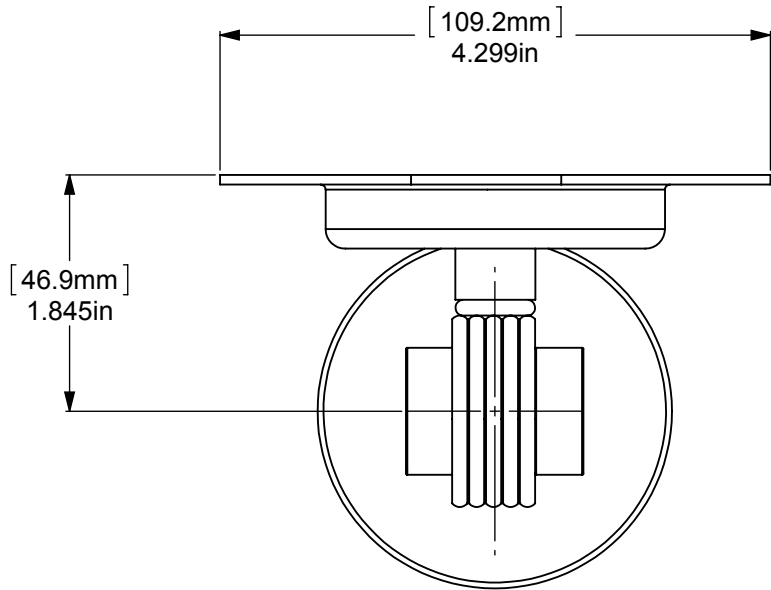
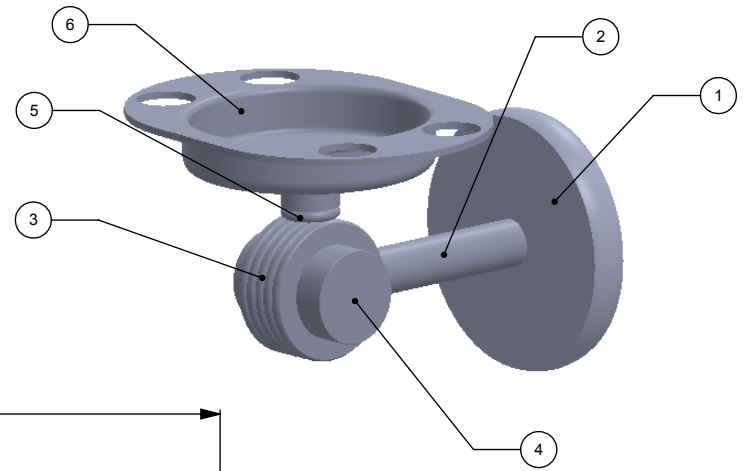


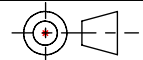
| | | | |
|---|---------|------------|---|
| 1 | BPRD | BASE | 1 |
| 2 | TU12-2 | TUBE | 1 |
| 3 | RGGVD | CONNECTOR | 1 |
| 4 | Card-1 | END LOCK | 2 |
| 5 | CRRD-12 | CHECK RING | 1 |
| 6 | HROVT | PLATE | 1 |



UNLESS OTHERWISE STATED

| | |
|------|---------|
| .X | ±.3mm |
| .XX | ±.15mm |
| .XXX | ±.008mm |

COPYRIGHT © Allied Brass 2019



THIRD ANGLE PROJECTION

APPROVED FOR PRODUCTION

By: RICHARD PAUL
Date: 4-10-19

| | | |
|----------|---------|-----|
| DRAWN | 4-10-19 | I.M |
| CHECKED | 4-10-19 | P.D |
| APPROVED | 4-10-19 | R.A |

| | | | |
|---|---|-------------|-----|
| MATERIAL: | BRASS | FINISH | TBD |
| DESCRIPTION: |  | QUANTITY | TBD |
| Satellite Orbit Two Collection Tumbler and Toothbrush Holder | | DRAWING No. | REV |
| | | 7226G | 0 |
| SCALE | 1:1.5 | SHEET: 01 | A4 |