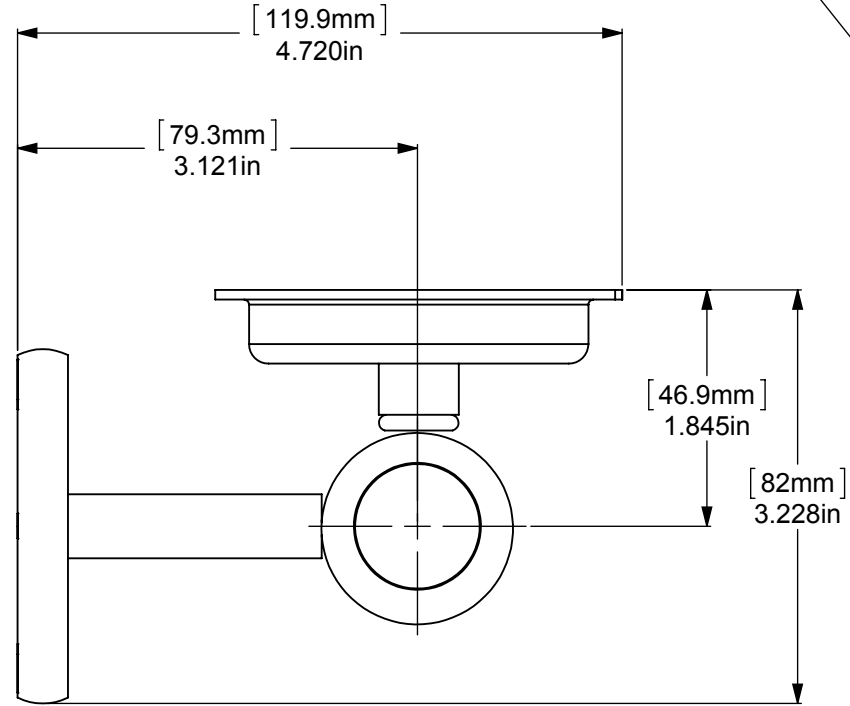
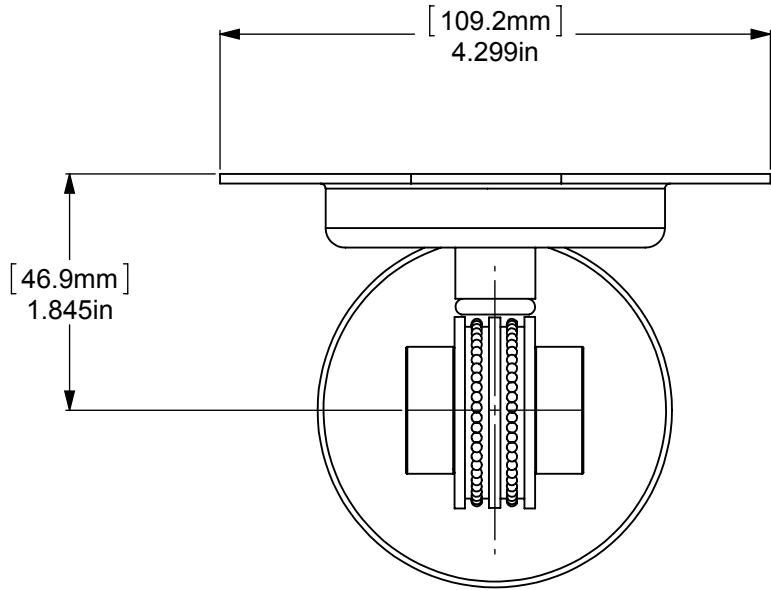
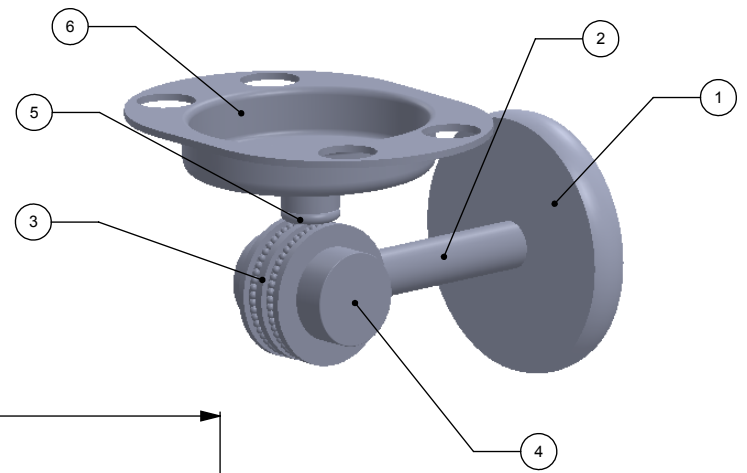


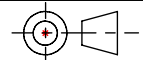
1	BPRD	BASE	1
2	TU12-2	TUBE	1
3	RGDTD	CONNECTOR	1
4	Card-1	END LOCK	2
5	CRRD-12	CHECK RING	1
6	HROVT	PLATE	1



UNLESS OTHERWISE STATED

.X	±.3mm
.XX	±.15mm
.XXX	±.008mm

COPYRIGHT © Allied Brass 2019



THIRD ANGLE PROJECTION

APPROVED FOR PRODUCTION

By: RICHARD PAUL
Date: 4-10-19

DRAWN	4-10-19	I.M
CHECKED	4-10-19	P.D
APPROVED	4-10-19	R.A

MATERIAL:	BRASS	FINISH	TBD
DESCRIPTION:		QUANTITY	TBD
Satellite Orbit Two Collection Tumbler and Toothbrush Holder		DRAWING No.	REV
		7226D	0
SCALE	1:1.5	SHEET: 01	A4