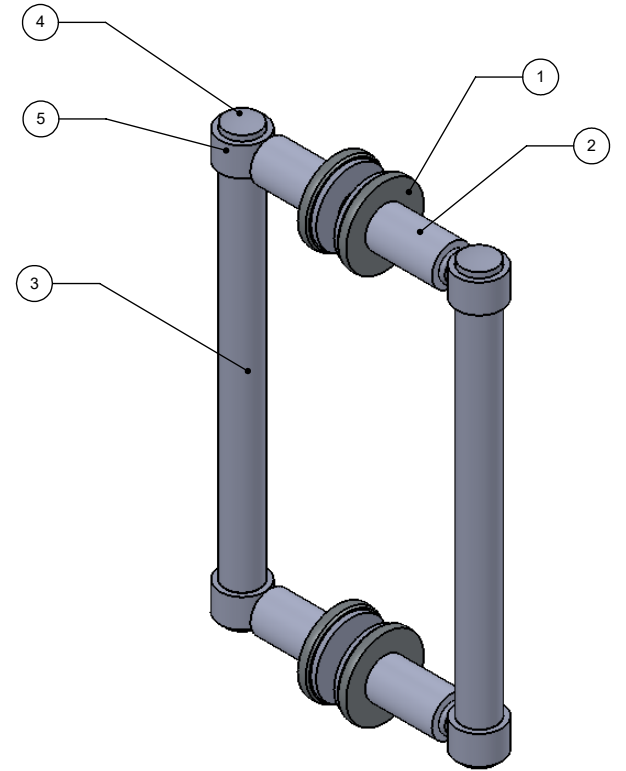
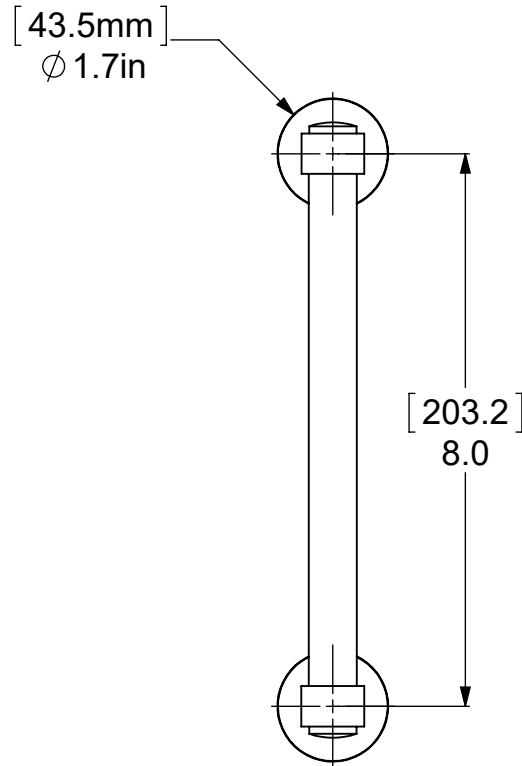
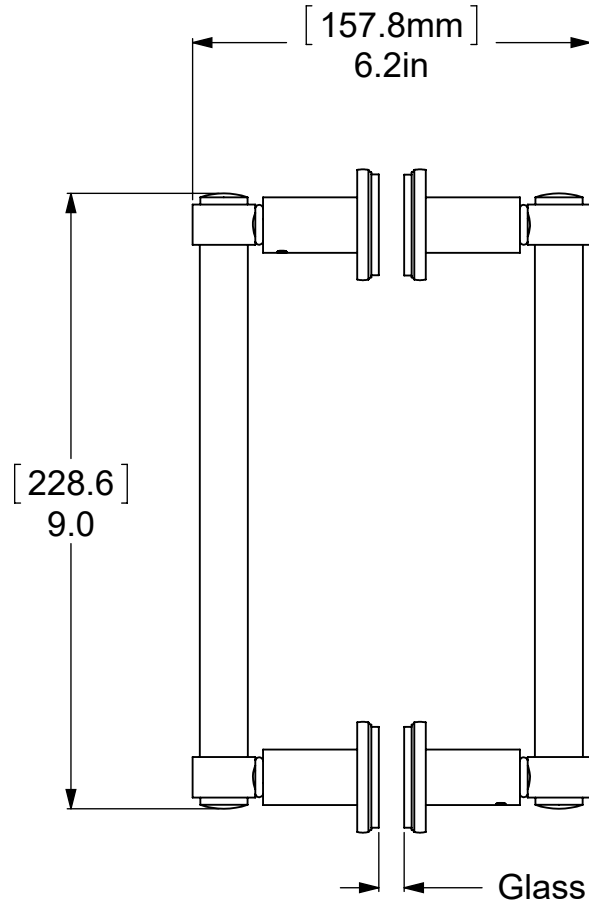


ITEM NO.	P/N	Description	QTY.
1	FRBP	BACKPLATE	2
2	FR-PST	POST	4
3	TU34-8	TUBE	2
4	CARD-34	CAP	4
5	HBT1T-1	HUB	4



UNLESS OTHERWISE STATED

.X	±.3mm
.XX	±.15mm
.XXX	±.008mm

COPYRIGHT © Allied Brass 2016



DRAWN	15/08/2016	I.M
CHECKED	15/08/2016	P.D
APPROVED	15/08/2016	R.A

MATERIAL:	BRASS		FINISH	TBD
DESCRIPTION:	SHOWER DOOR PULL		QUANTITY	TBD
			DRAWING No.	REV
			405-8BB	0
	SCALE	1:3	SHEET: 01	A4