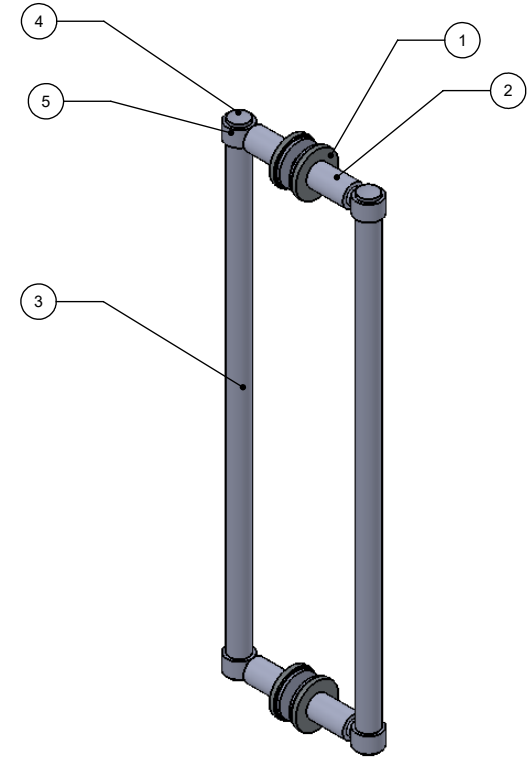
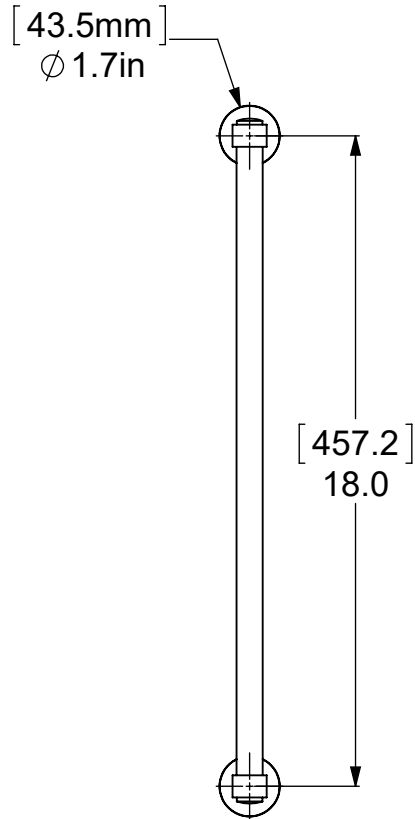
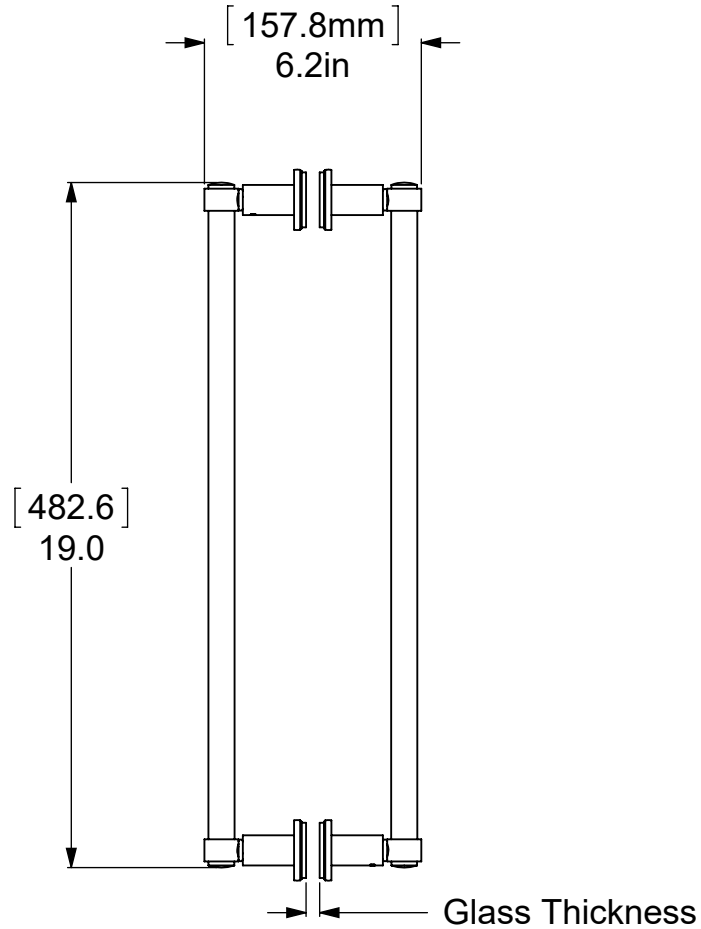


ITEM NO.	P/N	Description	QTY.
1	FRBP	BACKPLATE	2
2	FR-PST	POST	4
3	TU34-18	TUBE	2
4	CARD-34	CAP	4
5	HBT1T-1	HUB	4

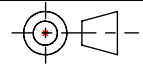


NOTE:
1. UNIT IS IN INCHES.

UNLESS OTHERWISE STATED


.X	±.3mm
.XX	±.15mm
.XXX	±.008mm

COPYRIGHT © Allied Brass 2016



THIRD ANGLE PROJECTION

DRAWN	11/30/16	I.M
CHECKED	11/30/16	P.D
APPROVED	11/30/16	R.A

MATERIAL:	BRASS	FINISH	TBD
DESCRIPTION:		QUANTITY	TBD
SHOWER DOOR PULL		DRAWING No.	REV
		405-18BB	0
SCALE	1:3	SHEET: 01	A4