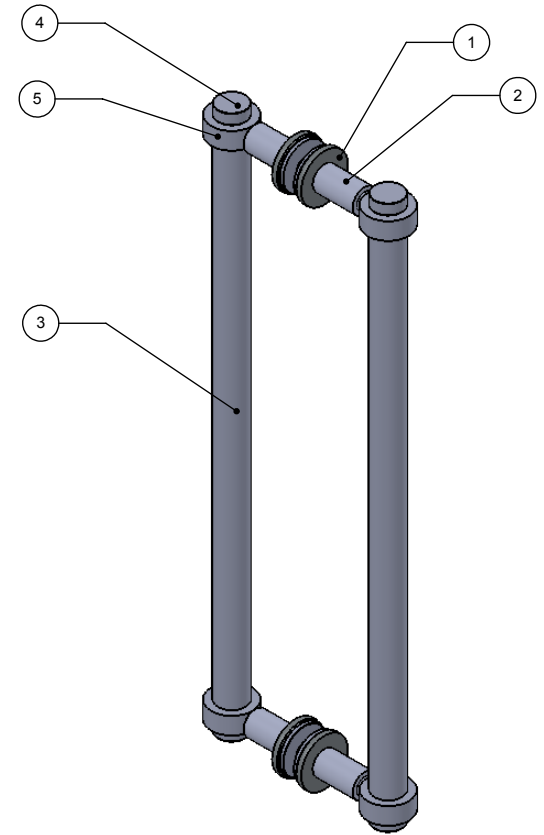
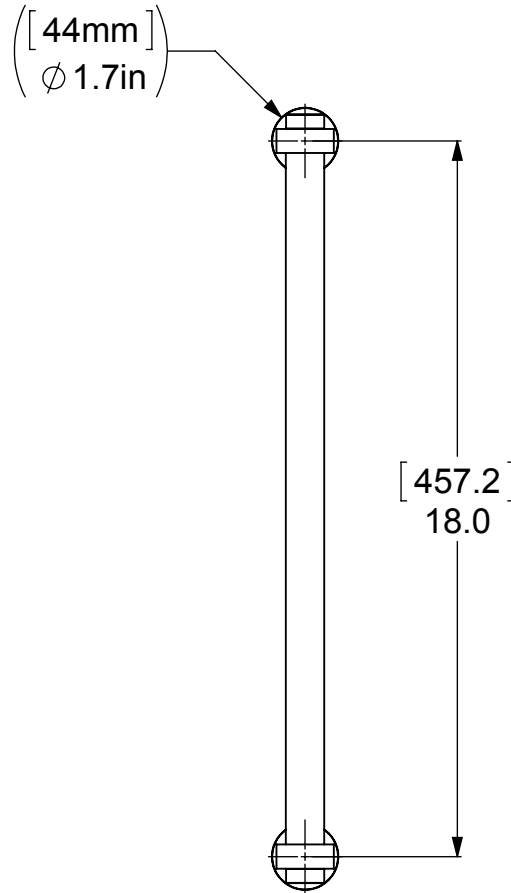
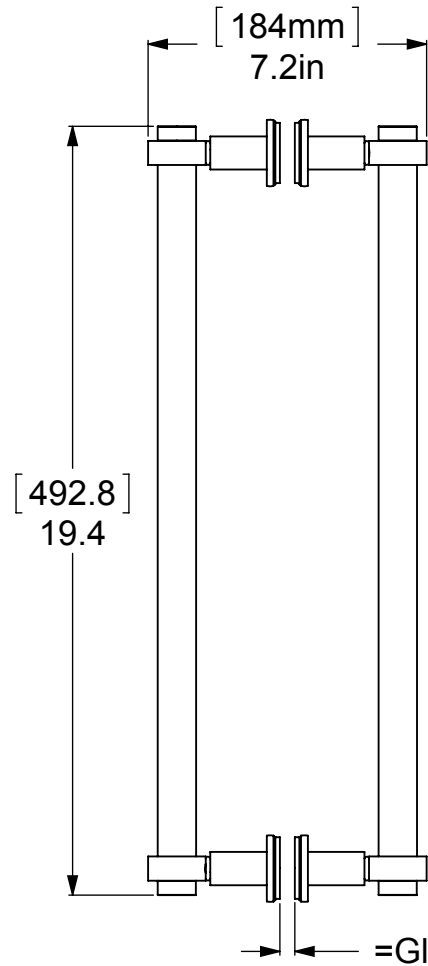


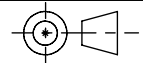
ITEM NO.	P/N	Description	QTY.
1	FRBP	BACKPLATE	2
2	FR-PST	POST	4
3	TU1-18	TUBE	2
4	CARD-1	CAP	4
5	RGSMT	HUB	4



UNLESS OTHERWISE STATED

.X	±.3mm
.XX	±.15mm
.XXX	±.008mm

COPYRIGHT © Allied Brass 2018



THIRD ANGLE PROJECTION

DRAWN	12-27-18	I.M
CHECKED	12-27-18	P.D
APPROVED	12-27-18	R.A

MATERIAL:	BRASS		FINISH	TBD
DESCRIPTION:			QUANTITY	TBD
SHOWER DOOR PULL			DRAWING No.	REV
	404-18BB	0		
SCALE	1:5	SHEET: 01	A4	