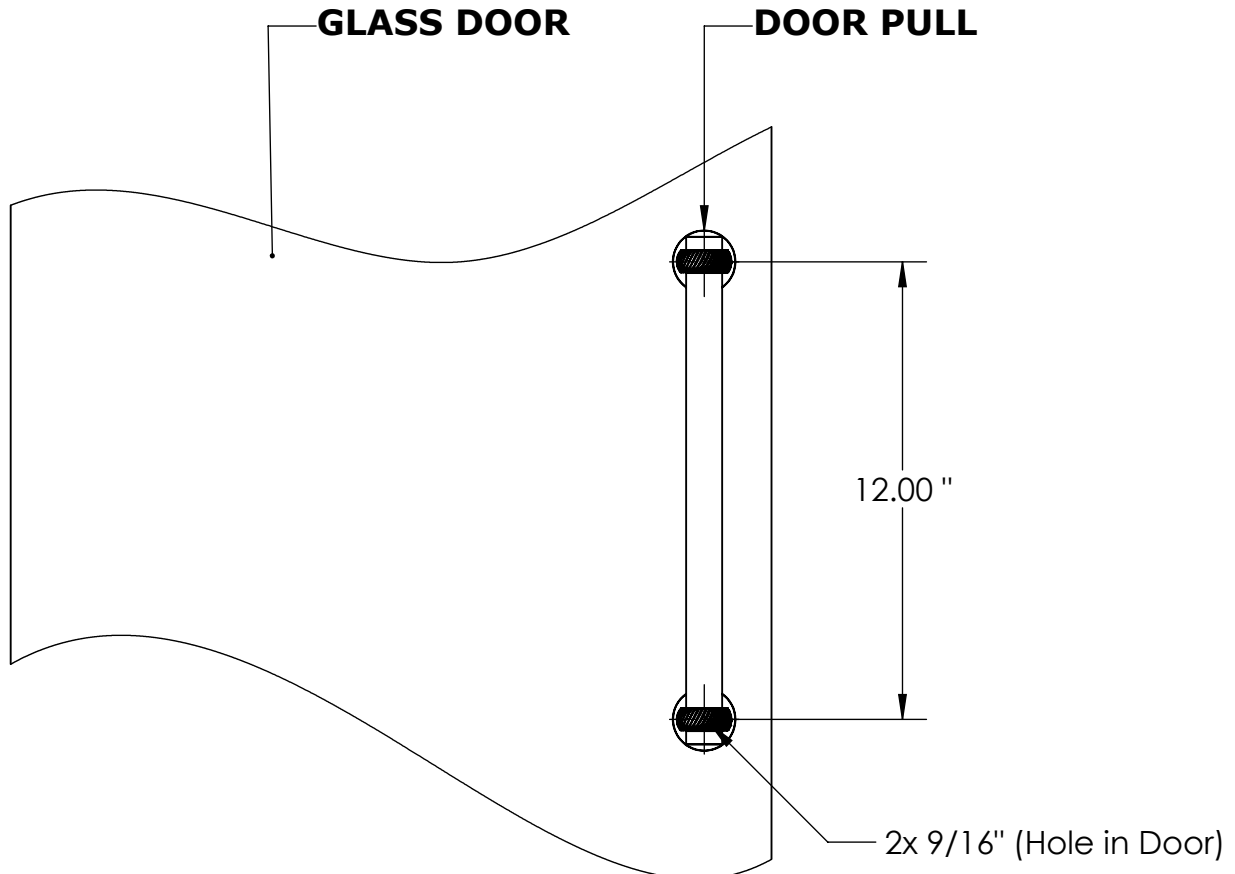


INSTALLATION INSTRUCTIONS

Step 1: Drill $\varnothing 9/16$ " Holes into Glass Door

Determine your desired location for installation and make 2 marks for the location for mounting.. Drill $\varnothing 9/16$ " hole at each of the marks.



Step 2: Shower Door Pull Mounting

Mount Door Pull to Door as below.

