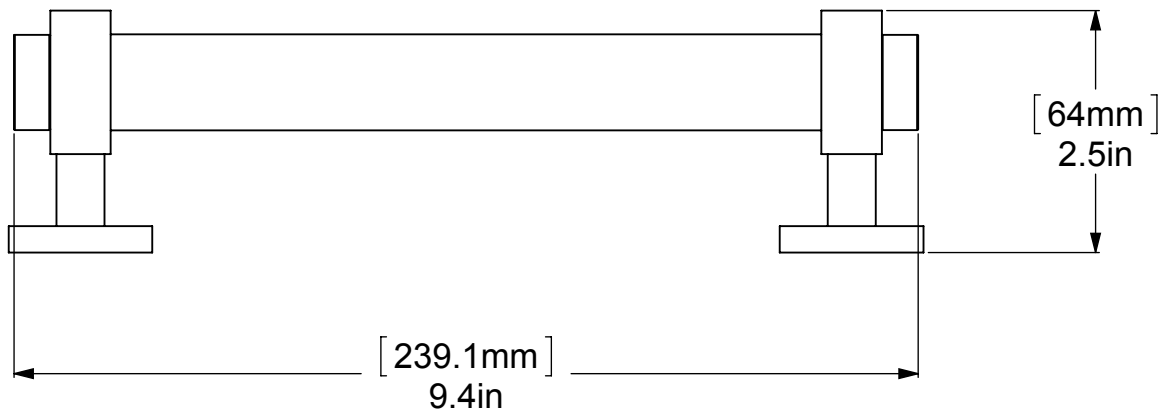
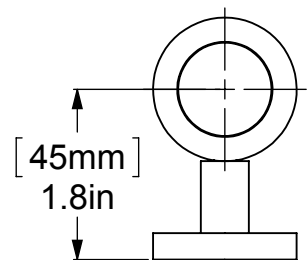
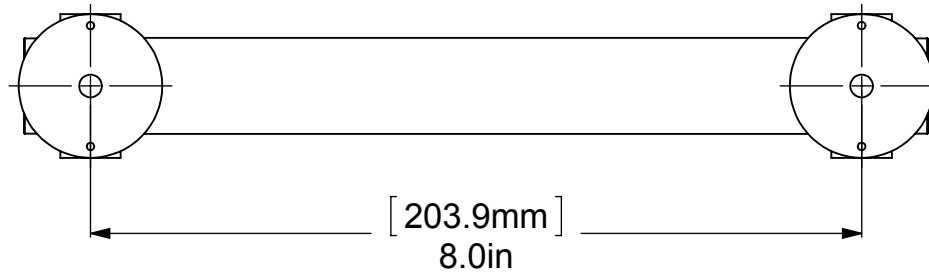
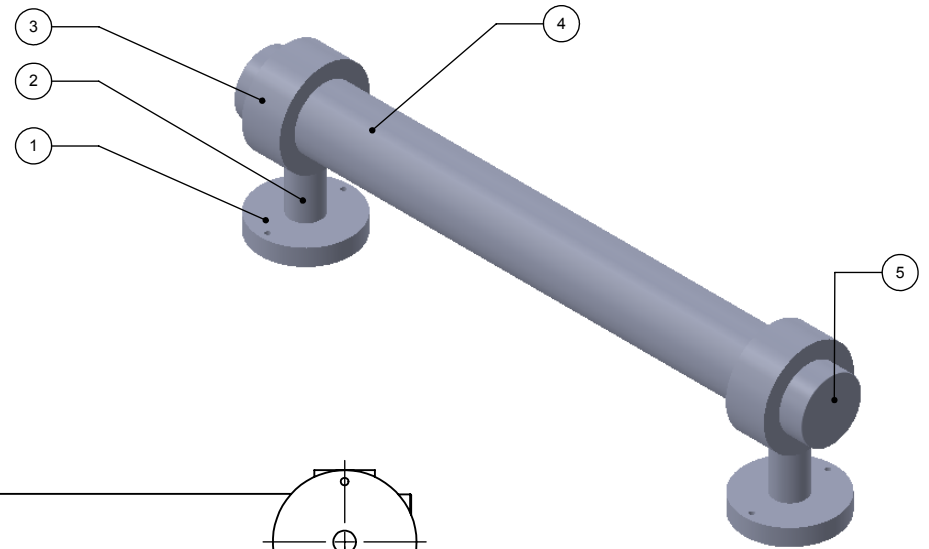


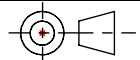
ITEM NO.	PART NUMBER	DESCRIPTION	QTY.
1	LP Casting	BASE	2
2	TU12-0.75	NECK	2
3	RGSMT	CONNECTOR	2
4	TU1-7.4	TUBE	1
5	Card-1	END LOCK	2



UNLESS OTHERWISE STATED

.X	±.3mm
.XX	±.15mm
.XXX	±.008mm

COPYRIGHT © Allied Brass 2017



THIRD ANGLE PROJECTION

DRAWN	5/12/17	I.M
CHECKED	5/12/17	P.D
APPROVED	5/12/17	R.A

MATERIAL: BRASS		FINISH	TBD
DESCRIPTION:		QUANTITY	TBD
8 Inch Door Pull		DRAWING No.	
		402	
		SCALE	1:2
		SHEET: 01	A4