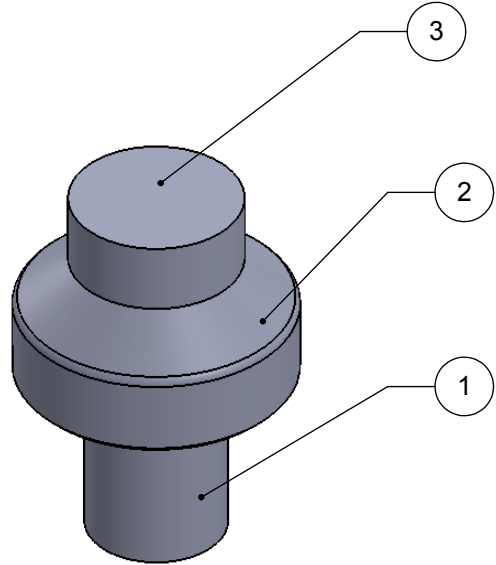
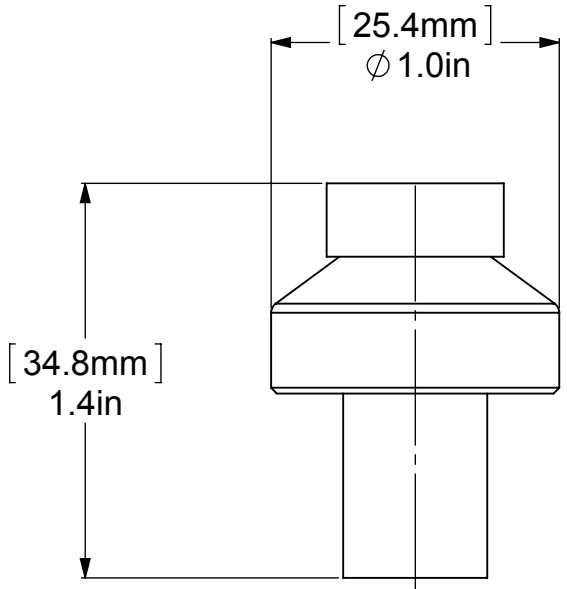
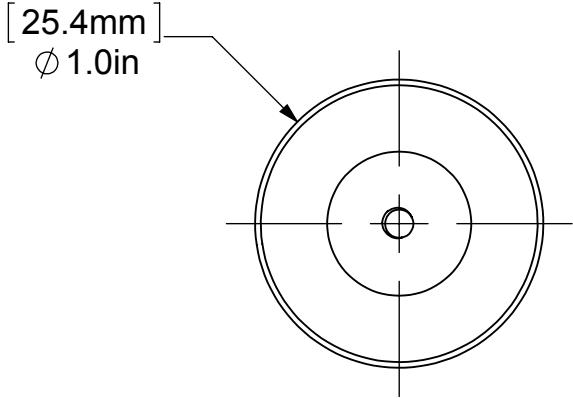


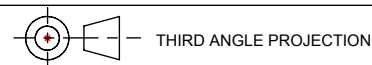
ITEM NO.	PART NUMBER	DESCRIPTION	QTY.
1	PSRD8-12	BASE TUBE	1
2	SM-LP-Cast	HUB	1
3	CARD-58	LOCK	1



UNLESS OTHERWISE STATED

.X	$\pm .3\text{mm}$
.XX	$\pm .15\text{mm}$
.XXX	$\pm .008\text{mm}$

COPYRIGHT © Allied Brass 2017



DRAWN	6/24/2017	I.M
CHECKED	6/24/2017	P.D
APPROVED	6/24/2017	R.A

MATERIAL:	BRASS
DESCRIPTION:	1 Inch Cabinet Knob

FINISH	TBD
QUANTITY	TBD
DRAWING No.	108
REV	0
SCALE	1.5:1
SHEET: 01	A4