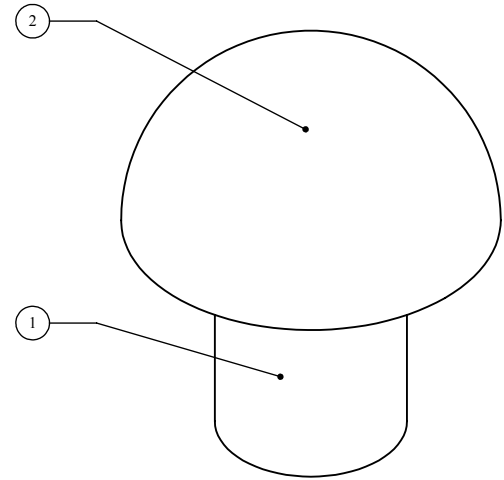
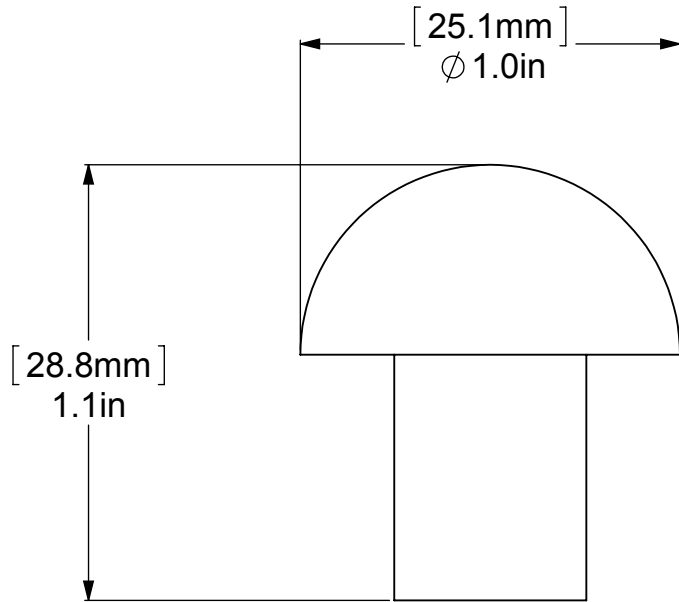
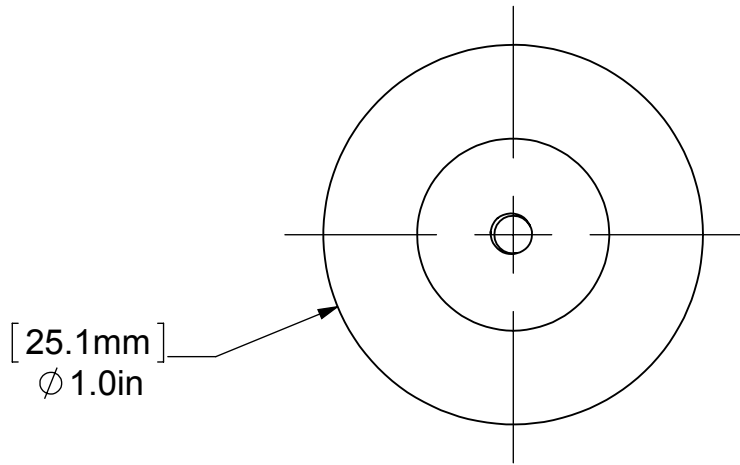


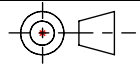
ITEM NO.	PART NUMBER	DESCRIPTION	QTY.
1	PSRD8-12	BASE TUBE	1
2	CAHR-1	CAP	1



UNLESS OTHERWISE STATED

.X	±.3mm
.XX	±.15mm
.XXX	±.008mm

COPYRIGHT © Allied Brass 2017



THIRD ANGLE PROJECTION

DRAWN	6/20/2017	I.M
CHECKED	6/20/2017	P.D
APPROVED	6/20/2017	R.A

MATERIAL:	BRASS
DESCRIPTION:	1 Inch Cabinet Knob

FINISH	TBD
QUANTITY	TBD
DRAWING No.	106
REV	0
SCALE	2:1
SHEET: 01	A4