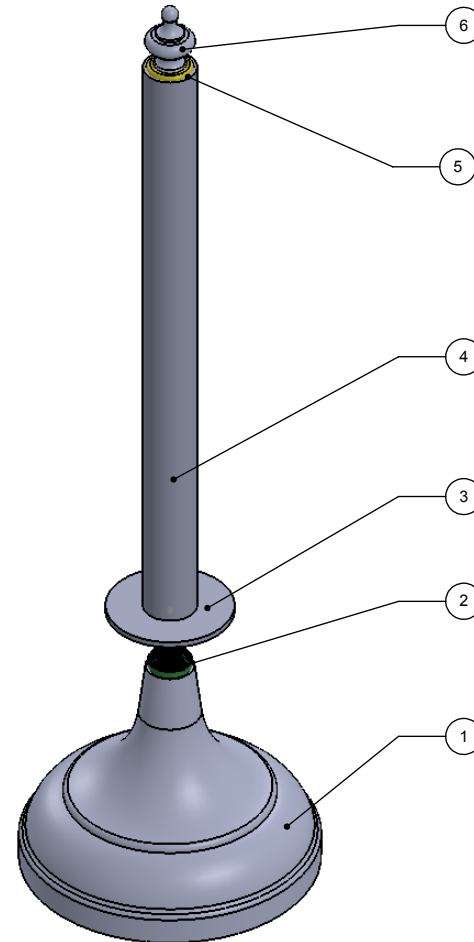
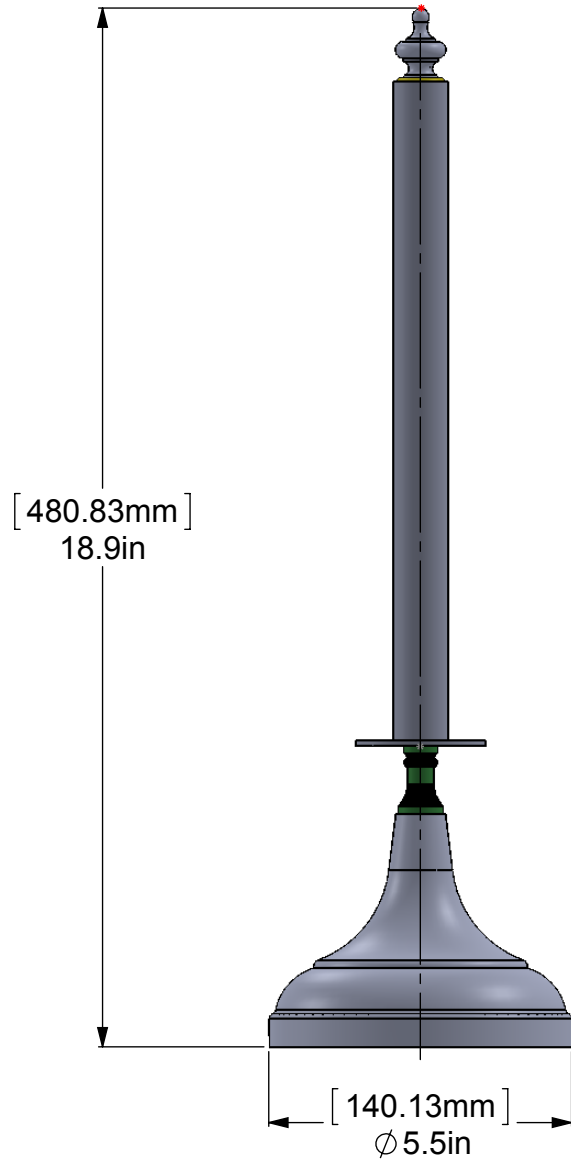


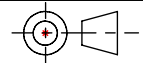
ITEM NO.	P/N	DESCRIPTION	QTY.
1	BSRD-5.5	BASE	1
2	TU1-12	NECK	1
3	CRRD-1	RING	1
4	BL1T-34	BALL	1
5	CRRD-1	CHECK RING	1
6	CAPY-1	TOP	1



UNLESS OTHERWISE STATED

.X	±.3mm
.XX	±.15mm
.XXX	±.008mm

COPYRIGHT © Allied Brass 2017



THIRD ANGLE PROJECTION

DRAWN	6/18/2017	I.M
CHECKED	6/18/2017	P.D
APPROVED	6/18/2017	R.A

MATERIAL:	BRASS		FINISH	TBD
DESCRIPTION:	<b>PAPER TOWEL HOLDERS</b> 	QUANTITY	TBD	
		DRAWING No.	REV	
		1052	0	
SCALE	1:3.5	SHEET: 01	A4	