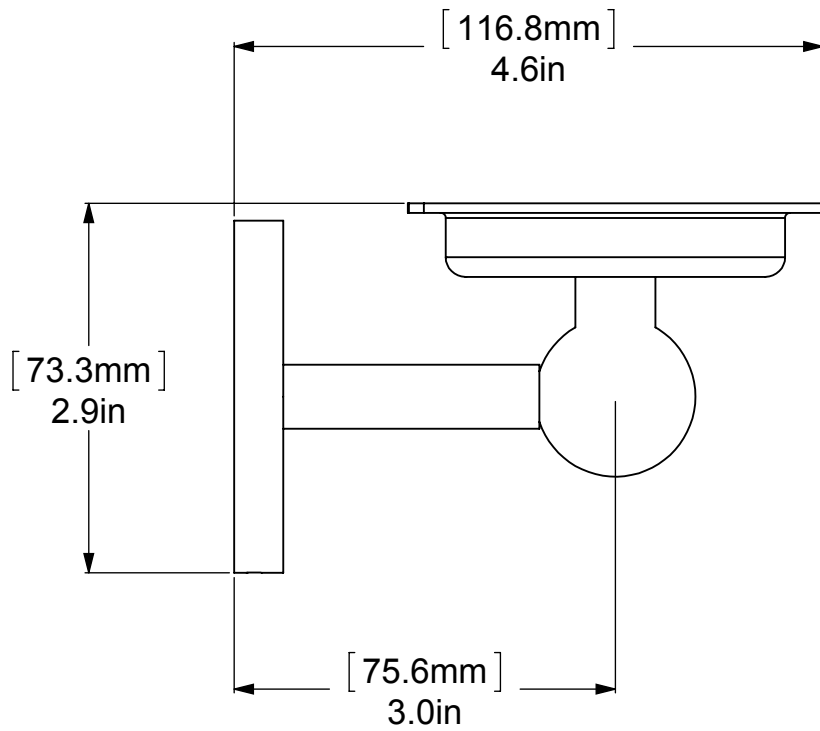
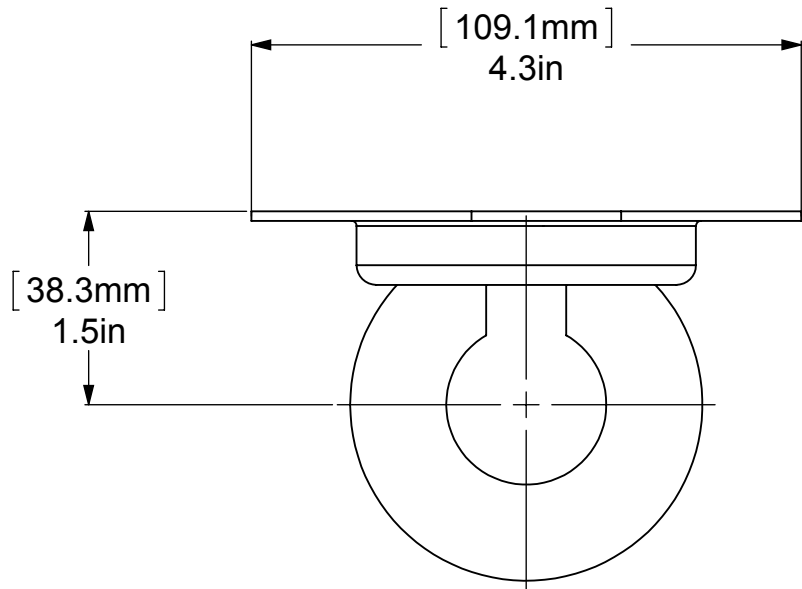
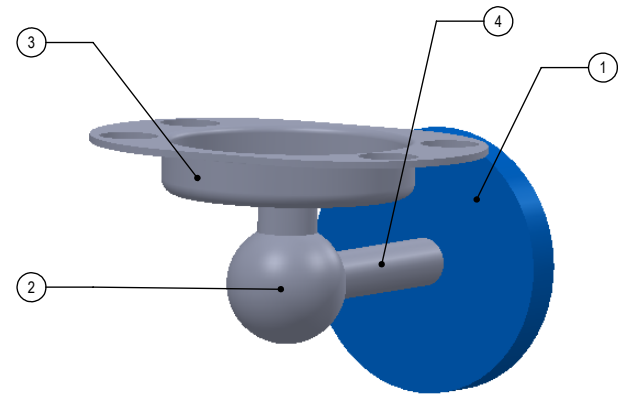


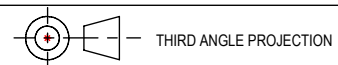
ITEM NO.	PART NUMBER	DESCRIPTION	QTY.
1	BPRD	Base	1
2	BL2T-1	RING SUPPORT	1
3	HROVT	PLATE	1
4	TU12-2	TUBE	1



UNLESS OTHERWISE STATED

.X	±.3mm
.XX	±.15mm
.XXX	±.008mm

COPYRIGHT © Allied Brass 2017



DRAWN	6/18/2017	I.M
CHECKED	6/18/2017	P.D
APPROVED	6/18/2017	R.A

MATERIAL:	BRASS
DESCRIPTION:	Tumbler/Toothbrush Holder



FINISH	TBD
QUANTITY	TBD
DRAWING No.	1026
REV	0
SCALE	1:3
SHEET: 01	A4