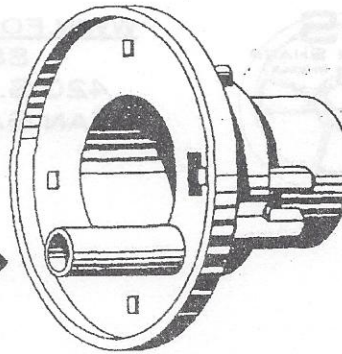


STEERING WHEEL INSTALLATION INSTRUCTION SUPPLEMENT

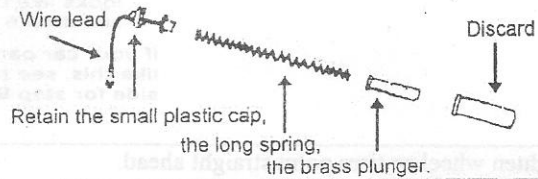
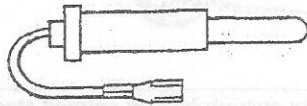
For all cars having a part
that looks like this →



After removal of your old steering wheel, it will be necessary to remove the horn contact plunger and its spring from the plastic horn contact assembly, which should still be on your steering shaft. This horn contact plunger and spring will be replaced in the following manner:

In your kit, you will find a horn contact assembly consisting of two plastic parts, a long spring, brass plunger and a wire lead.

Separate these parts and you will use only the following in your installation:



After you have secured the hub to the steering shaft and before final installation of post cover and steering wheel, you should insert the spring through the hub into your plastic horn contact assembly.

The brass plunger and cap should be placed over the spring and held in place with scotch tape so that you can complete your assembly in the usual manner.

