

Home of the Tiger hoisting, clamping, winching and height safety ranges

Tiger Combination Chain Block & Trolley CCBT



1t combination unit

Main Features

- Range from 0.5t to 35.0t
- Ideal for locations where headroom is limited
- Geared and plain trolley versions available
- Twin bar or single bar trolley options
- Extended beam width available
- Operating temperature of -40°C to +80°C (temperature range of -60°C to +80°C available as an option)
- Can be chained to any height of lift to meet your exact requirements
- Chain carrier available
- Corrosion or Spark Resistant versions available
- Optional beam locking device

These units meet and exceed all the requirements within BS EN 13157: 2004+A1:2009 and AS1418.2.

Certification:

Each unit comes fully certified with a test certificate or an EC Declaration of Conformity stating compliance with the essential health and safety requirements of the Machinery Directive 2006/42/EC.

Corrosion Resistant Units

Critical components, including the hand chain and the pinion gear for chain blocks and geared trolleys, are protected by our unique corrosion protection finish giving unprecedented long-term reliability. Stainless steel fittings are used throughout. These ensure the initial capital outlay of purchasing a Tiger corrosion resistant combination unit is protected by allowing the statutory inspections and re-certifications to be easier and also help with the overall aesthetics of the trolley being maintained in an “as new” condition. Our corrosion resistant units are finished in our high quality powder coat paint offering excellent additional corrosion protection and a high degree of impact protection.

Spark Resistant Units

In many areas of industry, plants are operated with potentially explosive atmospheres. Due to the very high risk to personal and other assets, extremely strict guidelines and technical requirements are in place in explosive zones. Tiger Spark Resistant products are manufactured in accordance with ATEX Directive 2014/34/EU and the Machinery Directive 2006/42/EC. Our products are lightweight and durable with a proven track record.



Please see individual technical sheets for TCB/SS20 chain blocks, TP/TG trolleys and spark resistant products on our website for more details.

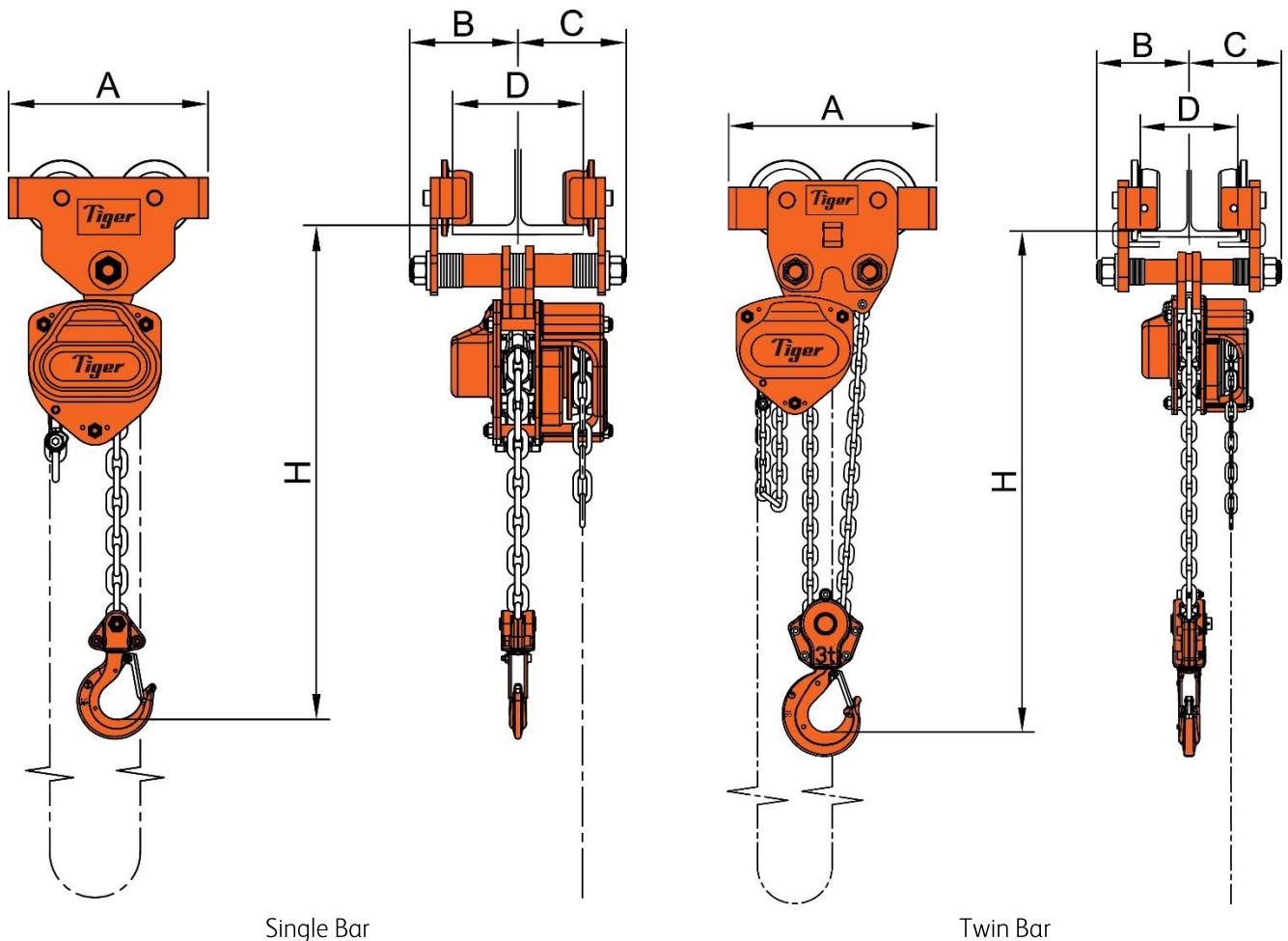
Our innovation, your safety

Home of the Tiger hoisting, clamping, winching and height safety ranges

Technical Data - Plain Trolley Combination Units

	Product Code	Capacity (tonne)	D - Track width		Dimensions (mm)				Min. curve ratio (m)	Net Weight (kg) @ std HOL
			Range 1 (mm)	Range 2 (mm)	A	B	C	H		
Single Bar Trolleys	CCBTPS-0050	0.5	80-128	80-203	195	106	106	310	0.8	16.0
	CCBTPS-0100	1.0	80-128	80-203	213	113	113	340	1.0	19.5
	CCBTPS-0200	2.0	112-154	112-230	236	136	136	420	1.3	33.0
	CCBTPS-0300	3.0	111-153	111-230	275	146	146	504	1.5	48.5
Twin Bar Trolleys	CCBTPT-030T	3.0	105-153	105-230	320	142	142	460	1.5	45.5
	CCBTPT-0500	5.0	126-194	126-305	352	167	166	545	1.5	69.0
	CCBTPT-1000	10.0	125-320	N/A	346	243	243	660	1.5	137.0
	CCBTPT-1500	15.0	150-320	N/A	461	276	276	827	2.7	274.0

Standard height of lift (HOL) of chain block - 3m. We can change this to suit your requirements. 0.5t-2t twin bar available as special orders – minimum order 100 each size.



Home of the Tiger hoisting, clamping, winching and height safety ranges

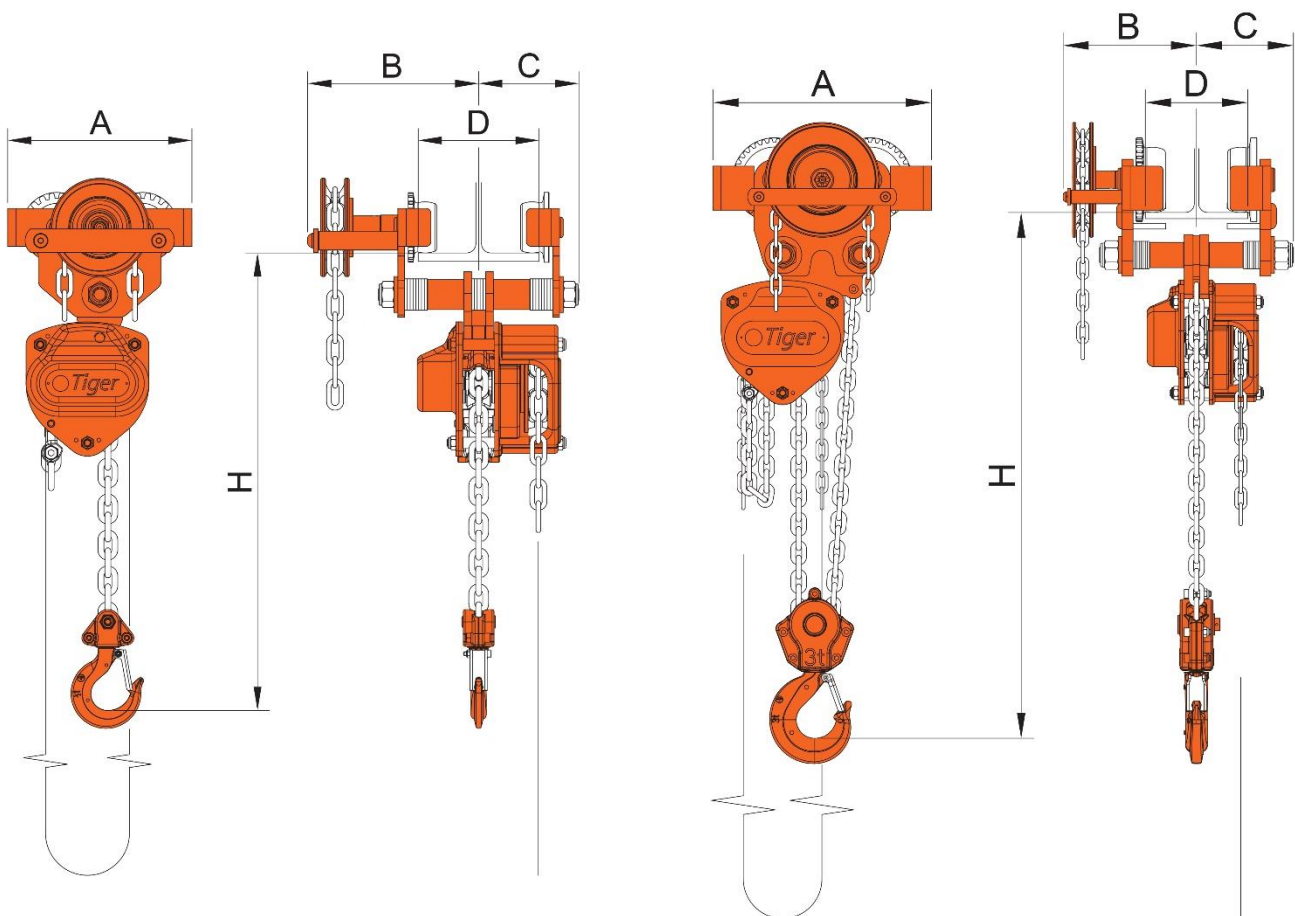
Technical Data - Geared Trolley Combination Units

	Product Code	Capacity (tonne)	D - Track width		Dimensions (mm)				Min. curve ratio (m)	Net Weight (kg) @ std HOL
			Range 1 (mm)	Range 2 (mm)	A	B	C	H		
Single Bar Trolleys	CCBTGS-0050	0.5	80-128	80-203	195	180	106	310	0.8	20.0
	CCBTGS-0100	1.0	80-128	80-203	213	180	113	340	1.0	23.5
	CCBTGS-0200	2.0	112-154	112-230	236	195	136	420	1.3	37.5
	CCBTGS-0300	3.0	111-153	111-230	275	198	146	504	1.5	53.5
Twin Bar Trolleys	CCBTGT-030T	3.0	105-153	105-230	320	194	142	460	1.5	58.5
	CCBTGT-0500	5.0	126-194	126-305	352	218	166	545	1.5	74.5
	CCBTGT-1000	10.0	125-320	N/A	346	282	243	660	1.5	144.0
	CCBTGT-1500	15.0	150-320	N/A	461	342	276	827	2.7	290.0
	CCBTGT-2000	20.0	125-320	N/A	754	284	243	950	6.0	321.0
	CCBTGT-3000	30.0	150-320	N/A	1009	339	270	1145	6.0	621.0
	CCBTGT-3500	35.0	150-320	N/A	1009	335	274	1145	6.0	651.0

Standard geared trolley hand chain length - 2.5m. We can change the length to suit your requirements.

Standard height of lift (HOL) of chain block - 3m. We can change this to suit your requirements.

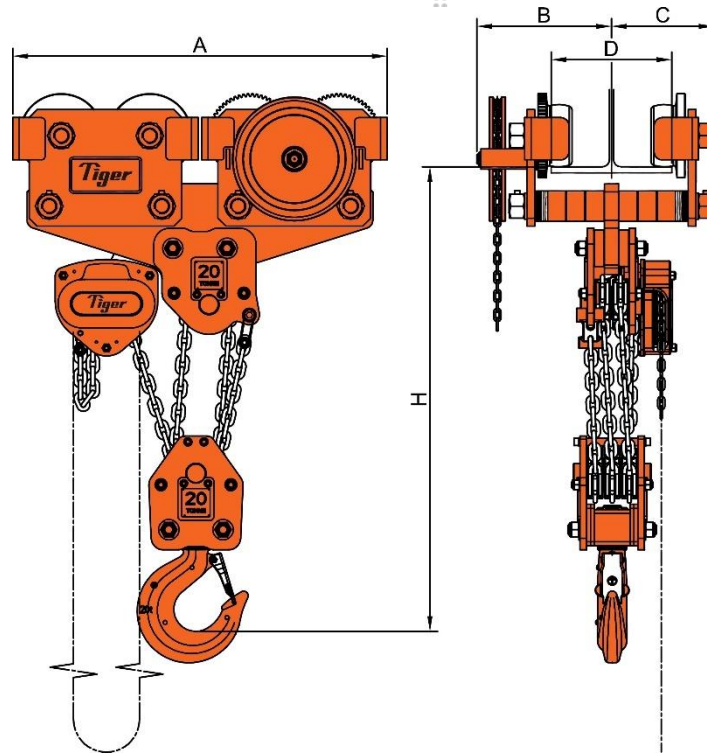
0.5t-2t twin bar available as special orders – minimum order 100 each size.



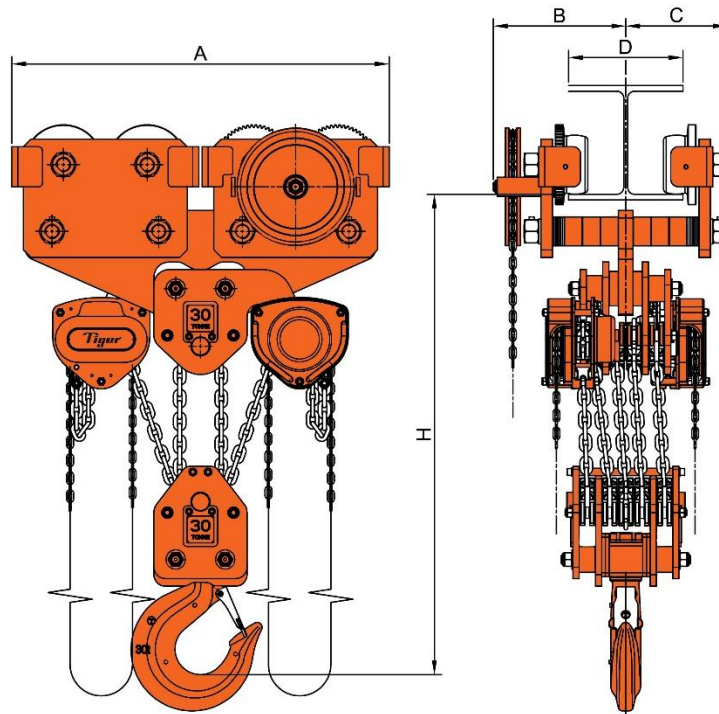
Single Bar

Twin Bar 3.0t – 15.0t

Home of the Tiger hoisting, clamping, winching and height safety ranges



Twin Bar Trolley 20.0t



Twin Bar Trolley 30.0t/35.0t

Due to our policy of continual product development, dimensions, weights and specifications may change without prior notice.