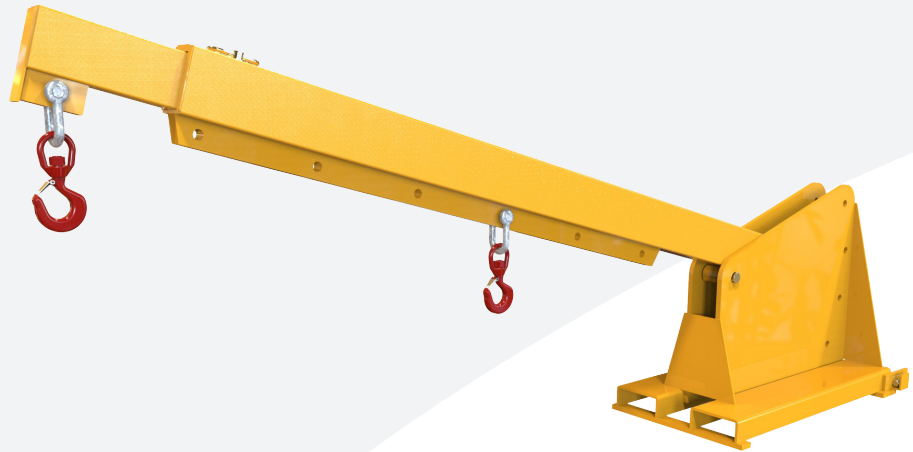


The Articulating Extender jib is designed to handle loads at variable heights.

With two hooks and a telescopic beam, loads can be slung at greater centres than a conventional fixed jib.

The jib can be adjusted to 45° at 15° increments



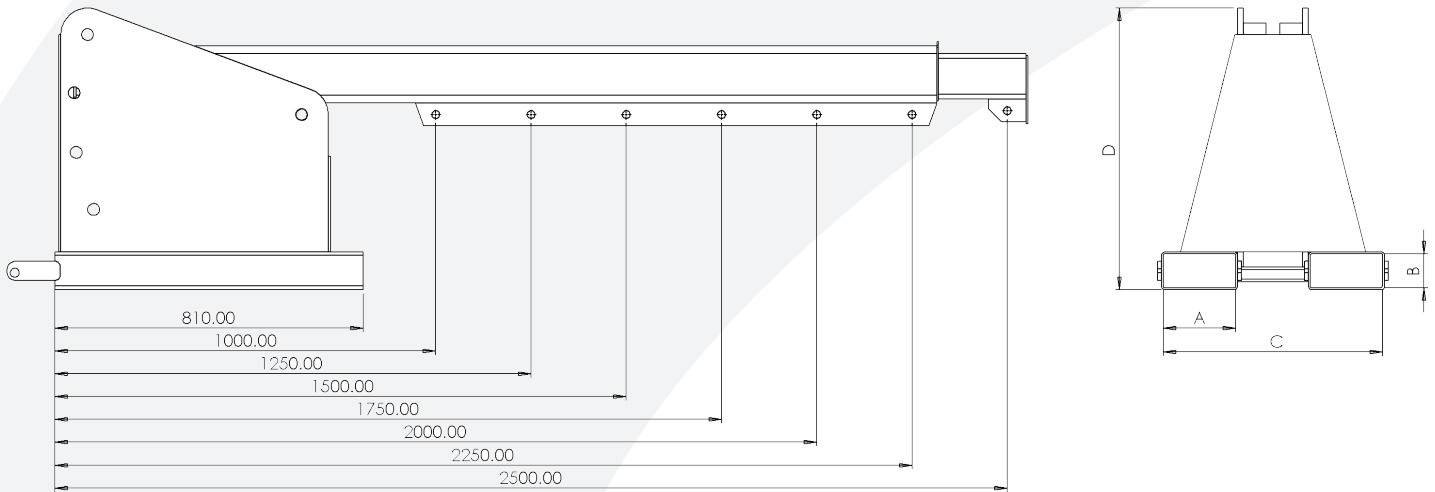
Capacity (kg) at Load Centre (mm)

Model Ref	Minimum Truck Capacity (kg)	1000	1250	1500	1750	2000	2250	2500	2750	3000
FMXA 500-2.2	2500	1400	1100	1000	830	750	560	440	320	230
FMXA 500-2.7	3000	1450	1200	1100	900	840	670	490	360	270
FMXA 500-3.1	3500	1900	1500	1200	1000	900	730	580	450	370
FMXA 500-3.5	4000	2000	1600	1300	1100	1000	820	670	540	460
FMXA 500-4.4	5000	2700	2200	1850	1400	1100	900	750	620	500

Features & Benefits

- Lifting beam can be adjusted to 45° making it ideal for handling loads of variable heights
- Extends out to 3000mm to allow loads to be picked up from greater distances
- Raised hook position for improved visibility whilst keeping hook off the ground when left standing
- Jib rated to suit the capacity of the lift truck,, which helps to reduce wear & tear and possible overloading
- Multiple hook positions for flexible load handling whilst reducing handling costs
- Long jib arm helps reach otherwise inaccessible places
- Heel retaining pins ensures jib is safely secured to the forklift forks
- CE marked and supplied with certificate of conformity for health & safety regulations

Jib Dimensions



Model Ref	"A" (mm)	"B" (mm)	"C" (mm)	"D" (mm)	Weight (kg)
FMXA 500-2.2	150	70	424	652	201
FMXA 500-2.7	190	90	576	740	305
FMXA 500-3.1	190	90	576	740	305
FMXA 500-3.5	190	90	576	740	305
FMXA 500-4.4	190	90	576	740	305