




*Patented!  
Rotating  
hand chain  
guide!*

Image shows  
MEDIUM design

 **Easy modification from Yalelift 360 ATEX to Yalelift IT ATEX is possible.**

## Hand chain hoist model Yalelift 360 ATEX

Capacity 500 - 20000 kg

The hand chain hoist model Yalelift 360 ATEX once again proves its worth in an environment that far exceeds the requirements of a classical hand chain hoist. On the basis of the European Directive 94/9/EG this model series has been further developed for the use in potentially explosive atmospheres (ATEX zones).

### Features

- The enclosed robust stamped steel housing protects all internal components even in the toughest conditions.
- The extremely low headroom allows maximum use of the lifting height.
- The revolutionary 360° rotating hand chain guide allows the operator to work from virtually any position, in confined spaces or above the load. The Yalelift can even be operated from the side of the load which also makes it possible to use the hoist for horizontal pulling or tensioning. Due to the additional flexibility, the operator is no longer forced to work in the danger zone near the load.
- The brake system is extremely quiet and guarantees operational safety and improved serviceability due to omission of the vulnerable ratchet pawls. All parts are made of high quality materials, additionally zinc-plated or yellow-chromated to increase corrosion prevention.
- Chain guide and gearbox are almost totally enclosed. Even under the toughest conditions the internal gearbox remains protected.
- The hardened load sheave with four precision machined pockets ensures accurate movement of the load chain.
- The surface protected zinc-plated alloy steel load chains fulfil all requirements of current national and international standards and regulations. They are matched perfectly to the load chain sheave and guarantee smooth and precise chain motion.
- Drop forged load and suspension hooks that yield under overload instead of breaking, are made of high tensile steel. The hooks are fitted with robust safety latches and rotate 360°.
- Explosion protected version with spark resistant coating.
- Copper-coated suspension and load hooks for MEDIUM design or higher.
- Stainless steel load chain for HIGH design.

### Options

- Adjustable overload prevention device
- Chain container

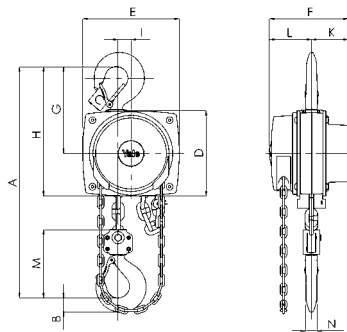
## Technical data model Yalelift 360 ATEX MEDIUM II 2 GD c IIB T4

Model	EAN-No. 4025092*	Capacity in kg/ number of chain falls	Chain dimensions d x p mm	Load chain grade	Hand chain overhaul for 1 m lift m	Pull on hand chain at WLL daN	Weight at standard lift (3 m) kg
YL ATEX 500	*206365	500/1	5 x 15	T	30	21	9
YL ATEX 1000	*206419	1000/1	6 x 18	T	49	30	13
YL ATEX 2000	*206426	2000/1	8 x 24	T	71	32	20
YL ATEX 3000	*206440	3000/1	10 x 30	T	87	38	29
YL ATEX 5000	*206464	5000/2	10 x 30	T	174	34	38
YL ATEX 10000	*239547	10000/3	10 x 30	V	261	44	71
YL ATEX 20000	*251846	20000/6	10 x 30	V	522	2 x 44	196

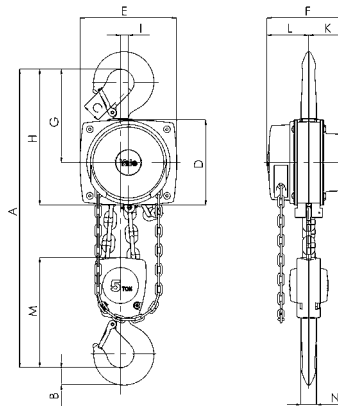


**Dimensions model Yalelift 360 ATEX**

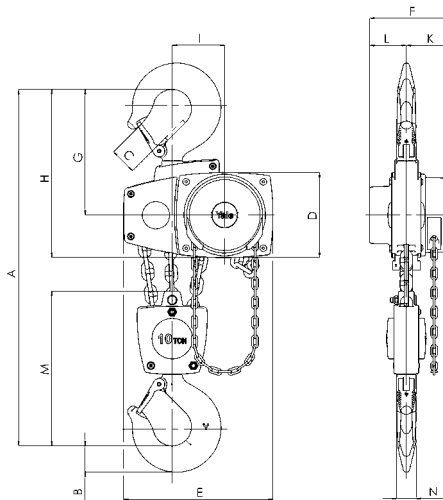
Model	YL 500	YL 1000	YL 2000	YL 3000	YL 5000	YL 10000	YL 20000
A min., mm	300	335	395	520	654	825	1010
B, mm	17	22	30	38	45	68	85
C, mm	24	29	35	40	47	68	64
D, mm	133	156	182	220	220	220	303
E, mm	148	175	203	250	250	383	555
F, mm	148	167	194	219	219	219	250
G, mm	139	164	192	225	242	326	391
H, mm	206	242	283	335	352	436	501
I, mm	24	24	31	34	21	136	-
K, mm	61	70	83	95	95	95	396
L, mm	87	97	111	124	124	124	125
M, mm	110	125	156	178	285	401	471
N, mm	14	19	22	30	37	50	56



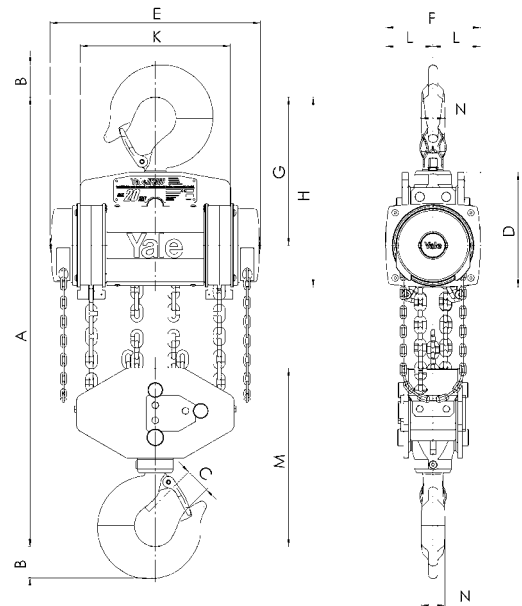
Model Yalelift 360 ATEX, 500 - 3000 kg, single fall



Model Yalelift 360 ATEX, 5000 kg, double fall



Model Yalelift 360 ATEX, 10000 kg, three fall



Model Yalelift 360 ATEX, 20000 kg, six fall

