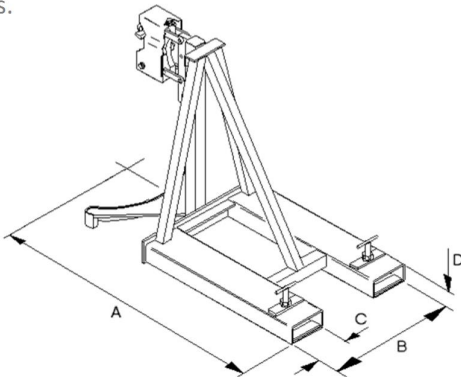


Parrot Beak Drum Handler (PB)



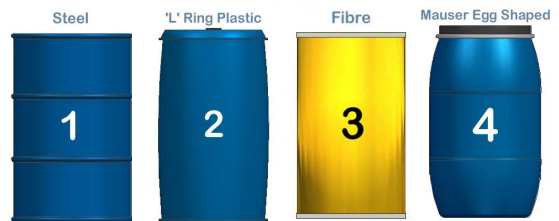
Our popular rim grip drum handler is the ideal choice when removing or loading drums in confined areas where drums are tightly packed or touching. The unique jaw mechanism utilises the drums weight to lock the drum in place ensuring the load cannot come loose even under strenuous use and rough terrain. Our rim grip head consists of bright zinc plated steel parts to ensure longevity of life. The unit is simple and easy to use and is the perfect choice for drum handling about the drum rim/lip.

Our Rim Grip Drum Handlers offer fast and safe movement of drums via a hardened steel jaw that grips the drum chimb (rim), allowing the drums to be picked up/set down with minimal gap between them. Ideal for stuffing/de-stuffing containers, suitable for use also on rough terrain. A rubber lined crutch support allows drum to be cushioned during transport. May be used for use with 120 or 210 litre Steel Drums and "L"/"XL" Plastic drums. A Spark Proof model is available for Zone 1 conditions. Not for use with empty drums.



Stainless Steel Models Available

Model Ref.	Weight	C of G	Lost Load Centre
PB-1	78kgs	583mm	210mm
PB-2	102kgs	637mm	210mm
PB-3	126kgs	698mm	210mm
PB-1-C	79kgs	585mm	340mm
PB-2-C	104kgs	638mm	340mm
PB-3-C	128kgs	699mm	340mm
PB-1 SP	60kgs	583mm	45mm
PB-2 SP	90kgs	647mm	45mm



Model Ref.	Capacity	No. Of Drums	Dum Types	"A" Load Ctr	"B" Fork Spread	"C" Fork Width	"D" Fork Thickness
PB-1	750kgs	1	1 & 2	1244mm	560mm	140mm	50mm
PB-2	1500kgs	2	1 & 2	1244mm	560mm	140mm	50mm
PB-3	2250kgs	3	1 & 2	1244mm	560mm	140mm	50mm
PB-1-C	750kgs	1	3	1244mm	560mm	140mm	50mm
PB-2-C	1500kgs	2	3	1244mm	560mm	140mm	50mm
PB-3-C	2250kgs	3	3	1244mm	560mm	140mm	50mm
PB-1 SP	450kgs	1	1 & 2	1331mm	500mm	145mm	50mm
PB-2 SP	900kgs	2	1 & 2	1331mm	725mm	145mm	50mm