



Lifting claws, piston plates, base adaptors and extension tubes, load-spreading plates model AYS

Lifting claws

In connection with the corresponding hydraulic cylinder a lifting claw represents a compact, lightweight and versatile lifting unit. The lifting claws are screwed onto the collar thread of cylinder series YS. Claws can be placed under loads with minimum clearance.

When operating lifting claws, the following aspects have to be considered:

The hydraulic cylinders need to be able to support themselves against the load. The max. force of the cylinder is reduced by 50%.

Piston plates

Piston plates can be screwed into the piston thread of cylinder series YS. They reduce the surface pressure and prevent the pistons from sinking into the ground. Also when using a piston plate in connection with a lifting claw the cylinder must be supported against the load.

Base adaptors and extension tubes

Extension tubes are mounted onto the bottom of cylinders series YS by means of the base adaptor and two hexagon socket screws (screws are included with the base adaptor). The use of extension tubes adds to the versatility of the standard cylinders.

Load-spreading plates

These load-spreading plates are recommended when slim cylinders are used for lifting operations. They prevent the cylinders from falling over and sinking into the ground. Robust steel design with carrying handle.



AYS-101
151
231



Straightening of a container box by use of a hydraulic cylinder YS-10/100, extension tube AYS-106, base adaptor AYS-103 and electric power pump PY-04/2/5/2 M.



Lifting of a container by use of an hydraulic cylinder YS-23/160, lifting claw AYS-23 and piston plate AYS-232 powered by a two-stage hand pump HPS-2/2 with base frame.

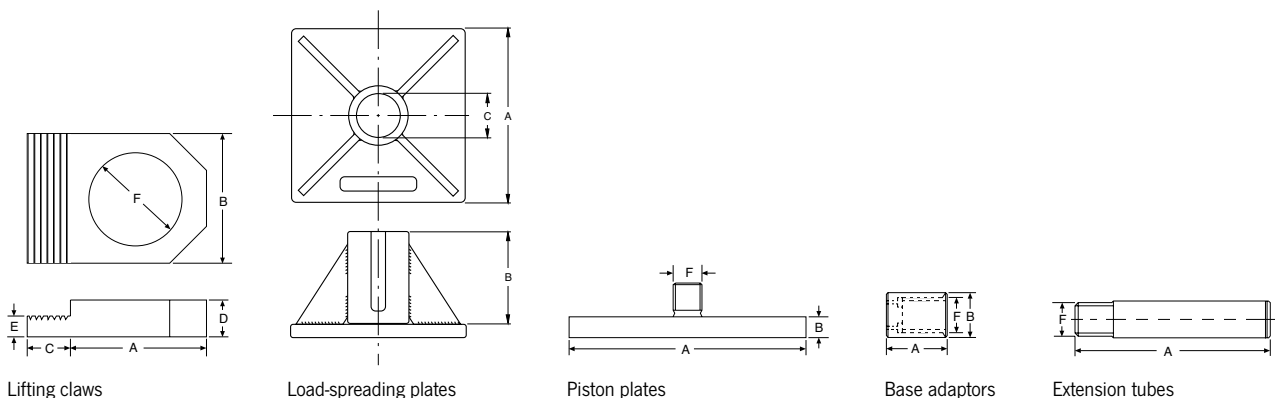
Technical data model AYS

| Model | EAN-No. 4025092* | Description | Suitable for cylinder | Weight kg |
|---------|---------------------|---|-----------------------|--------------|
| AYS-10 | *156721 | Lifting claw, permissible capacity 5 t | YS-10/... | 0.9 |
| AYS-15 | *156738 | Lifting claw, permissible capacity 8 t | YS-15/... | 1.3 |
| AYS-23 | *156745 | Lifting claw, permissible capacity 12 t | YS-23/... | 3.8 |
| AYS-53 | *157049 | Base adaptor, 5 t | YS-5/... | 0.5 |
| AYS-54 | *157056 | Extension tube 125 mm, 5 t | YS-5/... | 0.9 |
| AYS-55 | *157063 | Extension tube 250 mm, 5 t | YS-5/... | 1.5 |
| AYS-56 | *157070 | Extension tube 500 mm, 5 t | YS-5/... | 2.8 |
| AYS-101 | *157100 | Load-spreading plate 10 t | YS-10/... | 10.5 |
| AYS-102 | *156752 | Piston plate, round | YS-10/... | 1.5 |
| AYS-103 | *156783 | Base adaptor, 10 t | YS-10/... | 0.7 |
| AYS-104 | *156790 | Extension tube 125 mm, 10 t | YS-10/... | 1.2 |
| AYS-105 | *156806 | Extension tube 250 mm, 10 t | YS-10/... | 2.2 |
| AYS-106 | *156813 | Extension tube 500 mm, 10 t | YS-10/... | 3.9 |
| AYS-107 | *156820 | Extension tube 750 mm, 10 t | YS-10/... | 5.9 |
| AYS-151 | *157131 | Load-spreading plate 15 t | YS-15/... | 10.5 |
| AYS-152 | *156769 | Piston plate, round | YS-15/... | 1.8 |
| AYS-153 | *156929 | Base adaptor, 15 t | YS-15/... | 0.9 |
| AYS-154 | *156936 | Extension tube 125 mm, 15 t | YS-15/... | 1.6 |
| AYS-155 | *156943 | Extension tube 250 mm, 15 t | YS-15/... | 2.9 |
| AYS-156 | *156950 | Extension tube 500 mm, 15 t | YS-15/... | 4.9 |
| AYS-157 | *156967 | Extension tube 750 mm, 15 t | YS-15/... | 7.9 |
| AYS-231 | *157162 | Load-spreading plate 23 t | YS-23/... | 10.5 |
| AYS-232 | *156776 | Piston plate, round | YS-23/... | 2.2 |

Dimensions model AYS

| Model | AYS-10 | AYS-15 | AYS-23 | AYS-53 | AYS-54 | AYS-55 | AYS-56 | AYS-101 | AYS-102 | AYS-103 | AYS-104 | AYS-105 |
|-------|-----------|-----------|---------|-----------|-----------|-----------|-----------|---------|---------|---------|---------|---------|
| A, mm | 90 | 110 | 125 | 53 | 125 | 250 | 500 | 230 | 140 | 58 | 125 | 250 |
| B, mm | 90 | 110 | 125 | 50 | - | - | - | 120 | 12 | 60 | - | - |
| C, mm | 30 | 30 | 30 | - | - | - | - | 58 | - | - | - | - |
| D, mm | 29 | 34 | 40 | - | - | - | - | - | - | - | - | - |
| E, mm | 22 | 25 | 35 | - | - | - | - | - | - | - | - | - |
| F, mm | M57 x 1.5 | M67 x 1.5 | M85 x 2 | M42 x 1.5 | M42 x 1.5 | M42 x 1.5 | M42 x 1.5 | - | M27 x 2 | M50 x 2 | M50 x 2 | M50 x 2 |

| Model | AYS-106 | AYS-107 | AYS-151 | AYS-152 | AYS-153 | AYS-154 | AYS-155 | AYS-156 | AYS-157 | AYS-231 | AYS-232 |
|-------|---------|---------|---------|---------|---------|---------|---------|---------|---------|---------|---------|
| A, mm | 500 | 750 | 230 | 140 | 70 | 125 | 250 | 500 | 750 | 230 | 160 |
| B, mm | - | - | 120 | 12 | 73 | - | - | - | - | 120 | 15 |
| C, mm | - | - | 68 | - | - | - | - | - | - | 86 | - |
| D, mm | - | - | - | - | - | - | - | - | - | - | - |
| E, mm | - | - | - | - | - | - | - | - | - | - | - |
| F, mm | M50 x 2 | M50 x 2 | - | M33 x 2 | M60 x 2 | M60 x 2 | M60 x 2 | M60 x 2 | M60 x 2 | - | M40 x 2 |





Threaded flanges model AYP

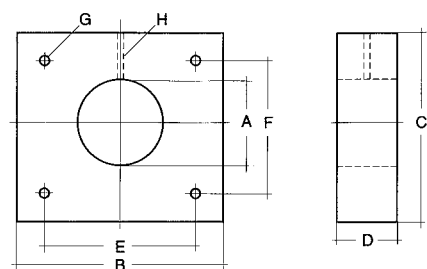
In case hydraulic cylinders have to be inserted into fixtures, press frames or similar devices, these steel flanges can be very handy. Material: weldable steel.

Technical data model AYP

| Model | EAN-No. 4025092* | Suitable for cylinder | Weight kg |
|-----------|---------------------|---------------------------|--------------|
| AYP-1010 | *157407 | YS-10/... | 9.7 |
| AYP-1510 | *157414 | YS-15/... and YH-10/... | 12.6 |
| AYP-2310 | *157421 | YS-23/... and YH-20/... | 12.1 |
| AYP-5010 | *159531 | YS-50/... and YH-50/... | 19.6 |
| AYP-10010 | *159548 | YS-100/... and YH-100/... | 46.0 |
| AYP-20010 | *159555 | YH-200/... | 97.0 |

Dimensions model AYP

| Model | AYP-1010 | AYP-1510 | AYP-2310 | AYP-5010 | AYP-10010 | AYP-20010 |
|-------|----------|----------|----------|----------|-----------|-----------|
| A, mm | M57x1.5 | M67x1.5 | M85x2 | M125x2 | M180x3 | M250x4 |
| B, mm | 220 | 220 | 220 | 250 | 330 | 450 |
| C, mm | 200 | 200 | 200 | 250 | 330 | 450 |
| D, mm | 30 | 40 | 40 | 50 | 70 | 80 |
| E, mm | 120 | 120 | 120 | 225 | 300 | 400 |
| F, mm | 150 | 150 | 150 | 225 | 300 | 400 |
| G, mm | M12 | M12 | M12 | Ø 13.5 | Ø 17.5 | Ø 17.5 |
| H, mm | M8 | M8 | M8 | M8 | M8 | M8 |



Model AYP

Clevis eye mountings model AYH

Clevis eye mountings are screwed onto the piston and bottom of the hydraulic cylinder whenever mounting conditions require a pivoting of the cylinder.



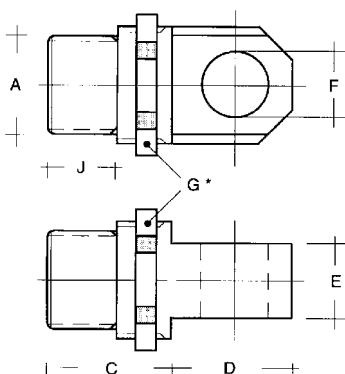
Technical data model AYH

| Model | EAN-No. 4025092* | Suitable for cylinder | Suitable for | Weight kg |
|----------|---------------------|--|---------------|--------------|
| AYH-5-1 | *157179 | YH-5/30, YH-5/80, YH-5/150 | Cylinder base | 0.3 |
| AYH-5-2 | *157186 | YH-5/30, YH-5/80, YH-5/150 | Piston | 0.3 |
| AYH-10-1 | *157193 | YH-10/30, YH-10/80, YH-10/150, YH-10/250 | Cylinder base | 0.6 |
| AYH-10-2 | *157209 | YH-10/30, YH-10/80, YH-10/150, YH-10/250 | Piston | 0.6 |
| AYH-20-1 | *157216 | YH-20/150, YH-20/250 | Cylinder base | 2.1 |
| AYH-20-2 | *157223 | YH-20/150, YH-20/250 | Piston | 2.1 |

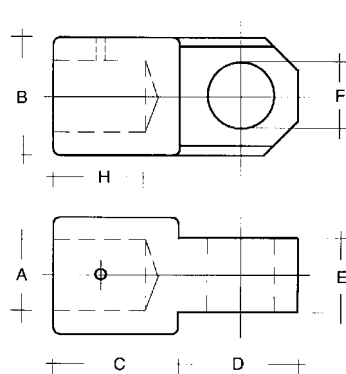
Dimensions model AYH

| Model | AYH-5-1 | AYH-5-2 | AYH-10-1 | AYH-10-2 | AYH-20-1 | AYH-20-2 |
|---------------------|---------|---------|----------|----------|----------|----------|
| A, mm | M27x2 | M18x1.5 | M36x2 | M27x2 | M45x2 | M36x2 |
| B, mm | - | 35 | - | 40 | - | 70 |
| C, mm | 35 | 35 | 38 | 38 | 50 | 50 |
| D, mm | 35 | 35 | 42 | 42 | 65 | 65 |
| E, mm | 15 | 15 | 25 | 25 | 35 | 35 |
| F, mm | 16 | 16 | 20 | 20 | 30 | 30 |
| G ¹ , mm | M35x1.5 | - | M40x1.5 | - | M70x2 | - |
| H, mm | - | - | - | 21 | - | 24 |
| J, mm | 18 | - | 21 | - | 23 | - |

¹G = retainer nut DIN 981



Model AYH-...-1 for cylinder base



Model AYH-...-2 for piston