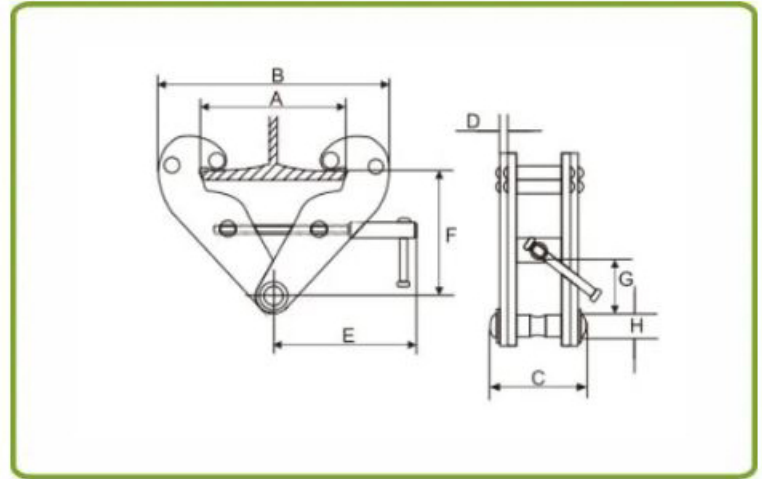


H-Lift BC Beam Clamp



Model	Capacity t	Proof Load kN	Beam Width mm	Dimensions (mm)										N.W. kg	Product Code	
				A		B		C	D	E	F		G			H
				max.	min.	max.	min.				max.					
BC010	1	19.6	75-230	240	192	367	94	4	194	102	154	22	20	4	150101000	
BC020	2	39.2	75-230	240	192	367	102	6	194	102	154	22	20	4.8	150102000	
BC030	3	58.8	80-345	355	243	520	132	8	241	133	223	38	22	9.8	150103000	
BC050	5	98	80-345	355	243	520	142	10	241	133	223	35	28	11.6	150105000	
BC100	10	196	90-350	360	272	532	180	12	284	155	234	47	38	17	150110000	