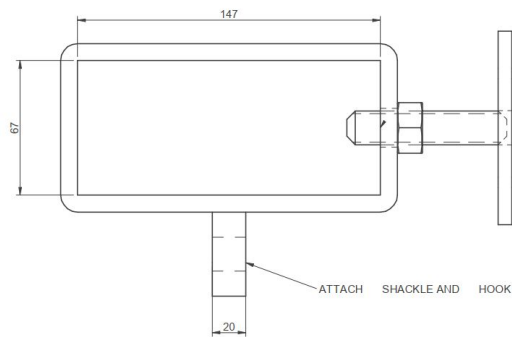
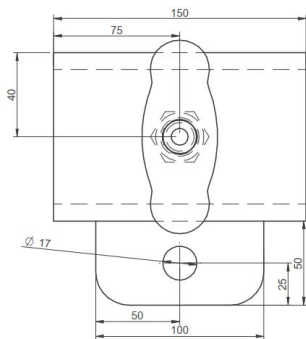


Adjustable Fork Mounted Hook (SFMHA)



Single Fork adjustable hooks offer a low cost solution to your load handling needs. The attachment fits quickly and easily to the fork truck to enable loads to be hung under the forks at any point along their length. Simply slide the attachment onto the forks and slide along until the desired load centre is achieved. Then simply screw the fork clamp tight. Ensure the attachment is secure before attempting lifting.



CONTACT Adjustable Fork Mounted Hooks are the most cost effective way of safely hanging a load under the forks of your lift truck. Simply clamps on the forks anywhere along their length.

Big Pocket Models Available – To Suit Up to 180x80mm

Model Ref	Weight	C of G	Load Centre
SFMHA-1.0	5kg	75mm	75mm
SFMHA-2.0	6kg	75mm	75mm
SFMHA-3.0	7kg	75mm	75mm
SFMHA-4.0	10kg	75mm	75mm
SFMHA-5.0	10kg	75mm	75mm

Model Ref	Capacity
SFMHA-1.0	1000kgs
SFMHA-2.0	2000kgs
SFMHA-3.0	3000kgs
SFMHA-4.0	4000kgs
SFMHA-5.0	5000kgs