



ZWW-L
Capacity 300 kg u. 600 kg



ZWW-L
Capacity 1200 kg



ZWW
Capacity 1500 kg



ZWW
Capacity 10000 kg

ZWW-L and ZWW Wall-mounted rack and pinion jacks

Capacity 300 - 10000 kg

Wall-mounted rack and pinion jacks are used for lifting, lowering, pulling and pushing of loads.

Features

- Robust steel design with precisely machined worm and spur gears for smooth and easy manual operation.
- Solid steel rack with additional bore hole for fastening of the load.
- Low wear owing to hardened gearing parts and precisely machined teething.
- Up to 1200 kg lifting load for pushing or pulling loads are equal.
- At standard tensile load from 1500 - 10000 kg. Compressive load possible on request.
- Rigid wall mounting.

Options

- Improved corrosion protection owing to zinc-plating or special coating of rack (from capacity 1500 kg).
- Different rack length on request.
- Symmetrical toothing for model ZWW on request.
- Crank with folding handle for model ZWW-L.

INFO

ZWW-L with capacities of 600 and 1000 kg are also available in explosion-proof design.



We are pleased to send you our new Atex catalogue in PDF format.

Technical data ZWW-L

Model	Art.-No.	Tensile or pressure load kg	Rack length mm	Lift mm	Lift per crank rotation mm	Hand effort at WLL daN	Weight kg
ZWW-L 300/400	NO1905011	300	600	400	11	10	5.4
ZWW-L 600/400	NO1905012	600	600	400	11	15	6.0
ZWW-L 300/600	NO1905013	300	800	600	11	10	5.9
ZWW-L 600/600	NO1905014	600	800	600	11	15	6.5
ZWW-L 1200/600	NO1905015	1200	800	600	3.6	14	9.5
ZWW-L 300/800	NO1905016	300	1000	800	11	10	6.4
ZWW-L 600/800	NO1905017	600	1000	800	11	15	7.0
ZWW-L 1200/800	NO1905018	1200	1000	800	3.6	14	10.6
ZWW-L 600/1000	NO1905020	600	1200	1000	11	15	7.5
ZWW-L 1200/1000	NO1905021	1200	1200	1000	3.6	14	11.7
ZWW-L 600/1200	NO1905023	600	1400	1200	11	10	6.0

Technical data ZWW with Sifeku

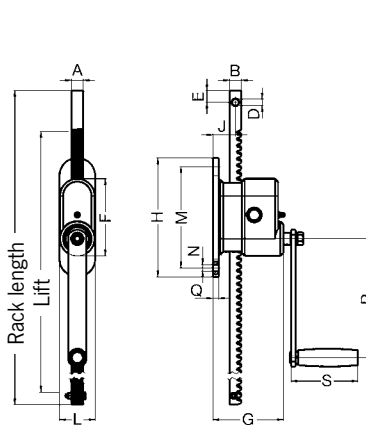
Model	Art.-No. Sifeku	Tensile load kg	Rack length mm	Lift mm	Lift per crank rotation mm	Hand effort at WLL daN	Weight kg
ZWW 1500/800	40055131	1500	1090	800	14	28	11
ZWW 3000/565	40056138	3000	975	565	9	28	19
ZWW 5000/700	40057134	5000	1170	700	4.5	28	28

Technical data ZWW with Siku

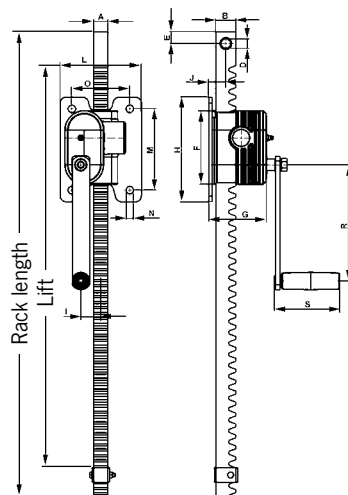
Model	Art.-No. Siku	Tensile load kg	Rack length mm	Lift mm	Lift per crank rotation mm	Hand effort at WLL daN	Weight kg
ZWW 10000/700	40058009	10000	1240	700	3.2	40	55

Dimensions ZWW and ZWW-L

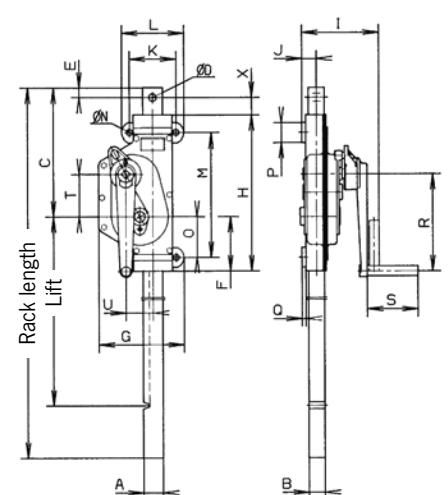
Model	ZWW-L 300	ZWW-L 600	ZWW-L 1200	ZWW 1500	ZWW 3000	ZWW 5000	ZWW 10000
A, mm	20	20	25	35	45	50	60
B, mm	20	25	35	25	30	40	50
C, mm	-	-	-	215	280	330	380
Ø D, mm	11	13	16,5	21	21	21	30
E, mm	16	20	20	20	25	25	30
F, mm	130	130	127	135	165	140	160
G, mm	119	119	98	151	212	219	269
H, mm	200	200	180	310	395	400	480
I, mm	-	-	35	168	179	197	200
J, mm	38	35	30	26	31	37	40
K, mm	-	-	-	100	120	120	140
L, mm	60	60	140	130	160	160	180
M, mm	170	170	140	260	305	320	410
Ø N, mm	11	11	13	13	15	17	21
O, mm	-	-	100	110	120	105	125
P, mm	-	-	-	40	50	50	60
Q, mm	10	10	-	8	10	10	10
R, mm	200	250	200	250	250	250	300
S, mm	110	110	110	130	130	130	250
T, mm	-	-	-	42	86	109	150
U, mm	-	-	-	43	53	70	88
X, mm	-	-	-	20	25	45	30
Ø Z, mm	-	-	-	-	-	-	-



ZWW-L, Capacity 300 - 600 kg



ZWW-L, Capacity 1200 kg



ZWW, Capacity 1500 - 10000 kg