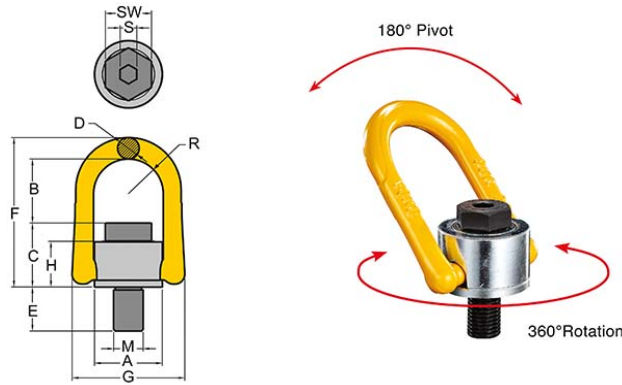




Yoke Swivel Hoist Ring - type 231 metric thread



- Rotates through 360° and pivots 180°, and simultaneously allows lifting from any direction.
- Manufactured from forged alloy steel, quenched and tempered and tested in accordance with EN1677-1.
- Load rated parts are 100% magnaflux crack detected & the individual forged parts & cap screw are traceable to Test Certification.
- Bolts are Metric thread 10.9.
- Proof tested to 2.5 times the WLL and Fatigue rated to 1.5 times the WLL.
- Design Factor 4 : 1
- All YOKE Lifting points meet or exceed all the requirements of ASME B30.26.
- Quick and simple assembly, just a tapped hole is required.



Part Code	WLL (t) 4 : 1	Thread M	A mm	B mm	C mm	D mm	E mm	F mm	G mm	H mm	R mm	S mm	SW mm	Torque in Nm	Mass Kg
8-231-005	0.5	M8 x 1.25	33	42	28	11	12	80	58	23	17	6	13	30	0.3
8-231-007	0.7	M10x 1.50	33	41	29	11	15	80	58	23	17	6	17	60	0.3
8-231-010	1.0	M12 x 1.75	33	40	31	11	20	80	58	23	17	8	19	100	0.3
8-231-015	1.5	M14 x 2.0	50	56	45	17	21	117	90	36	27	10	22	120	0.9
8-231-020	2.0	M16 x 2.0	50	54	46	17	24	117	90	36	27	10	24	150	0.9
8-231-025	2.5	M18 x 2.5	65	78	57	20	26	153	108	44	34	12	30	200	1.9
8-231-030	3.0	M20 x 2.5	50	52	49	17	30	117	90	36	27	12	30	250	1.0
8-231-050	5.0	M24 x 3.0	72	81	59	25	36	163	125	44	37	14	36	400	2.6
8-231-078	7.8	M30 x 3.5	87	94	81	30	48	204	148	62	46	17	46	500	5.0
8-231-125	12.5	M36 x 4.0	110	112	98	36	54	247	188	75	57	22	55	1000	9.6
8-231-156	15.6	M42 x 4.5	110	101	108	36	63	247	188	83	57	24	65	1500	10.9

8-231-200	20.0	M48 x 5.0	110	97	113	36	72	248	188	83	57	27	75	2000	11.6
8-231-220	22.0	M56 x 5.5	123	116	121	36	84	274	202	91	64	27	85	2100	15.0
8-231-225	22.5	M64 x 6.0	123	111	126	36	100	274	202	91	64	32	95	2200	16.3



USES

Swivel Hoist Ring uses can be as follows:

- New generation swivel hoist ring
- Lower profile and higher weight
- Suited for lifting objects with no obvious attachment points
- Mold and die handling
- Pump and valve handling

SWIVEL HOIST RING TYPE 231 WORKING LOAD APPLICATION FACTORS

Number of legs		1	2	1	2	2	2	2	3-4	3-4	3-4
Load Direction		0°	0°	90°	90°	0-45°	45-60°	unsymm.	0-45°	45-60°	unsymm.
Part Code	Thread	WLL tonnes									
8-231-005	M8	0.8	1.6	0.5	1.0	0.7	0.5	0.5	1.10	0.80	0.5
8-231-007	M10	1.2	2.4	0.7	1.4	1.0	0.7	0.7	1.50	1.10	0.7
8-231-010	M12	1.5	3.0	1.0	2.0	1.4	1.0	1.0	2.10	1.50	1.0
8-231-015	M14	2.4	4.8	1.5	3.0	2.1	1.5	1.5	3.20	2.30	1.5
8-231-020	M16	3.2	6.4	2.0	4.0	2.8	2.0	2.0	4.20	3.00	2.0
8-231-025	M18	5.0	10.0	2.5	5.0	3.5	2.5	2.5	5.30	3.80	2.5
8-231-030	M20	4.5	9.0	3.0	6.0	4.2	3.0	3.0	6.30	4.50	3.0
8-231-050	M24	9.0	18.0	5.0	10.0	7.0	5.0	5.0	10.50	7.50	5.0
8-231-078	M30	12.0	24.0	7.8	15.6	10.9	7.8	7.8	16.40	11.70	7.8
8-231-125	M36	14.0	28.0	12.5	25.0	17.5	12.5	12.5	26.30	18.80	12.5
8-231-156	M42	16.0	32.0	15.6	31.2	21.8	15.6	15.6	32.80	23.40	15.6
8-231-200	M48	20.0	40.0	20.0	40.0	28.0	20.0	20.0	42.00	30.00	20.0
8-231-220	M56	22.0	44.0	22.0	44.0	30.8	22.0	22.0	46.20	33.00	22.0
8-231-225	M64	22.5	45.0	22.5	45.0	31.5	22.5	22.5	47.25	33.75	22.5

USES

Swivel Hoist Ring uses can be as follows:

- New generation swivel hoist ring
- Lower profile and higher weight
- Suited for lifting objects with no obvious attachment points
- Mold and die handling
- Pump and valve handling

SWIVEL HOIST RING TYPE 231 WORKING LOAD APPLICATION FACTORS

Number of legs		1	2	1	2	2		2	3-4		3-4
Load Direction		0°	0°	90°	90°	0-45°	45-60°	unsymm.	0-45°	45-60°	unsymm.
Part Code	Thread	WLL tonnes									
8-231-005	M8	0.8	1.6	0.5	1.0	0.7	0.5	0.5	1.10	0.80	0.5
8-231-007	M10	1.2	2.4	0.7	1.4	1.0	0.7	0.7	1.50	1.10	0.7
8-231-010	M12	1.5	3.0	1.0	2.0	1.4	1.0	1.0	2.10	1.50	1.0
8-231-015	M14	2.4	4.8	1.5	3.0	2.1	1.5	1.5	3.20	2.30	1.5
8-231-020	M16	3.2	6.4	2.0	4.0	2.8	2.0	2.0	4.20	3.00	2.0
8-231-025	M18	5.0	10.0	2.5	5.0	3.5	2.5	2.5	5.30	3.80	2.5
8-231-030	M20	4.5	9.0	3.0	6.0	4.2	3.0	3.0	6.30	4.50	3.0
8-231-050	M24	9.0	18.0	5.0	10.0	7.0	5.0	5.0	10.50	7.50	5.0
8-231-078	M30	12.0	24.0	7.8	15.6	10.9	7.8	7.8	16.40	11.70	7.8
8-231-125	M36	14.0	28.0	12.5	25.0	17.5	12.5	12.5	26.30	18.80	12.5
8-231-156	M42	16.0	32.0	15.6	31.2	21.8	15.6	15.6	32.80	23.40	15.6
8-231-200	M48	20.0	40.0	20.0	40.0	28.0	20.0	20.0	42.00	30.00	20.0
8-231-220	M56	22.0	44.0	22.0	44.0	30.8	22.0	22.0	46.20	33.00	22.0
8-231-225	M64	22.5	45.0	22.5	45.0	31.5	22.5	22.5	47.25	33.75	22.5

Click here to view video of Yoke Load Attachment Products

<http://www.yoke.net/video/en.asp>



William Hackett

William Hackett Lifting Products Ltd Oak Drive, Lionheart Enterprise Park, Alnwick, Northumberland NE66 2EU
 Email: liftingsales@williamhackett.co.uk Tel: +44 (0)1665 604200 Fax: +44 (0)1665 604204

Web: www.williamhackett.co.uk



Better connected with William Hackett