

Fork Mounted Drum Handler (FDH)

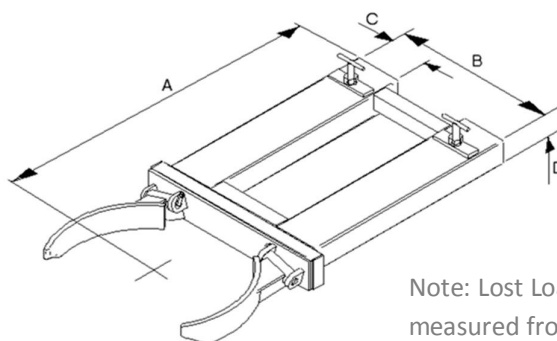


CONTACT Fork Mounted Drum Handlers are the entry level drum grab designed solely for handling steel drums with rolling hoops. Ideal for low to medium volume movement of drums around the factory or store. Fully automatic operation.

Our best selling drum handler has a fully automatic action. The attachment has two curved arms which hinge at one end. To lift a drum, approach it with the clamp arms horizontal and positioned halfway up the drum, between two rolling hoops. When the arms contact the drum they will open automatically, falling back around the drum as you proceed forwards. When the attachment is raised the arms will grip the drum tightly under the upper rolling hoop.



Stainless Steel models also available



Note: Lost Load Centre measured from tip of forks

Model	Capacity	No of Drums	Drum Types	"A" Load Centre	"B" Fork Spread	"C" Fork Width	"D" Fork Thickness
FDH-1	500kgs	1	1	1110mm	560mm	140mm	50mm
FDH-1-BP	500kgs	1	1	1110mm	560mm	180mm	90mm
FDH-1-HD	1000kgs	1	1	1120mm	560mm	140mm	50mm
FDH-1-110	250kgs	1	1	1000mm	450mm	140mm	50mm
FDH-2	1000kgs	2	1 & 2	1110mm	880mm	140mm	50mm
FDHU-1	500kgs	1	1 & 2	1110mm	560mm	140mm	50mm
FDHU-2	1000kgs	2	1 & 2	1110mm	880mm	140mm	50mm

Model	Weight	C of G	Lost Load Centre
FDH-1	43kgs	554mm	130mm
FDH-1-BP	73kgs	554mm	130mm
FDH-1-HD	58kgs	558mm	140mm
FDH-1-110	40kgs	549mm	130mm
FDH-2	60kgs	636mm	130mm
FDHU-1	49kgs	582mm	130mm
FDHU-2	73kgs	669mm	130mm

