

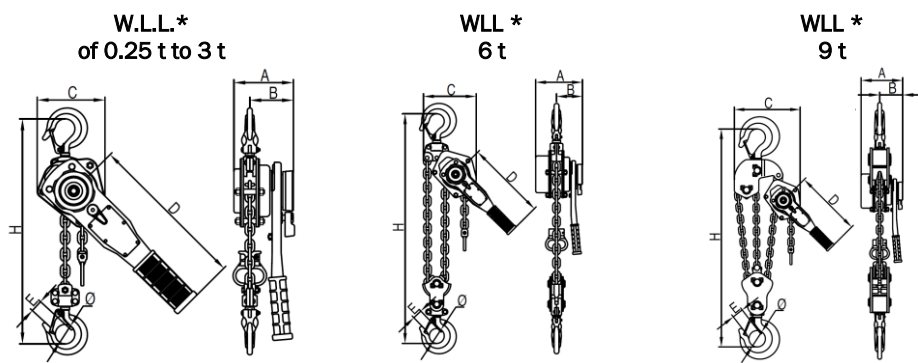
**CHARACTERISTICS:**

- compact design unit and light-weight,
- load chain coated,
- hooks rotating 360° labeled with hoist W.L.L.\* fitted with safety latches removable,
- standard lifting height: 1.5m. Other possible lifting heights: see table below,
- unit designed and built to withstand dynamic testing at 1.1 x W.L.L.\* and static testing at 1.5 x W.L.L.\*,
- unit designed to ensure a minimum mechanical strength of 4 x W.L.L.\*,
- unit complies with directive 2006/42/CE requirement.



The bravo™ hoist (1) uses the “Double click” system. Based on two unsynchronized clicks, “Double click” guarantees the reliability of lifting, towing and tensioning operations against the risk of veering. “Double click” is specifically recommended for tensioning steel ropes.

**TECHNICAL SPECIFICATIONS:**



W.L.L.* (t)	0.25	0.5	0.75	1	1.5	3	6	9
Standard lifting height** (m)	1.5							
Minimum distance between hook H (mm)	230	305	315	320	365	480	610	800
Maximum force on handle at W.L.L.* (daN)	28	50	30	37	47	45	47	48
Number of strands	1						2	3
Chain dimensions Ø x P (see fig. 1)	4x12	5x15	6x18		7x21	10x30		
Dimensions (mm)	A	102.5	107	149	149	175	205	205
	B	77	78	89	89	101	114	114
	C	75	121	125	125	146	191	229
	D	157	288	268	268	368	348	348
	E	20	22	23	27	29	39	44
Ø	28	35	37	40	45	55	68	85
Net weight(kg)	2.1	5	7	7.3	11.5	21.4	30.2	56.1
Additional weight by lifting m (kg)	0.35	0.56	0.8	0.8	1.08	2.23	4.46	6.69

\*: Working Load Limit

\*\* : other standard lifting heights for W.L.L.\* : from 0.5t to 9t: 3 m; 4.5 m; 6 m  
of 0.25t: 6m.

Optionally, the bravo™ hoists of W.L.L.\* 0.5t / 0.75t / 1t / 1.5t / 3t / 6t and 9t can be equipped with a dynamic load limiter (1): except model 0.25t.

