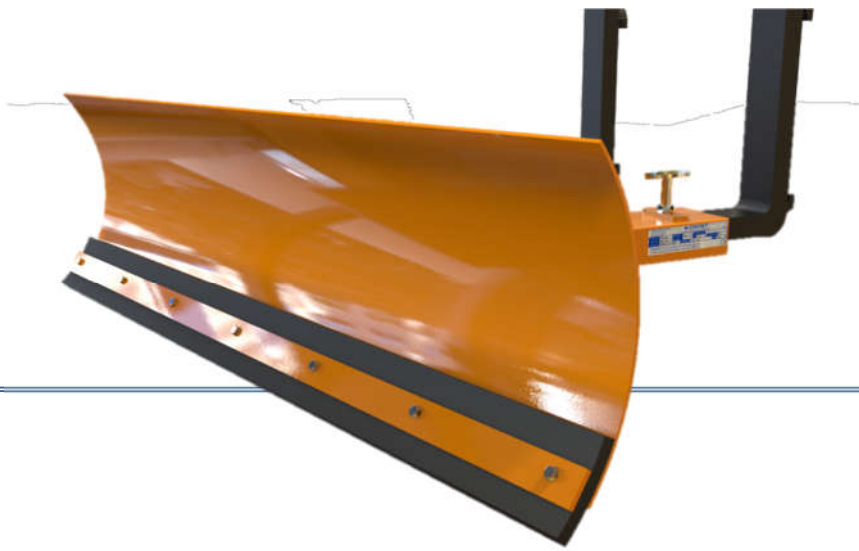


# Fixed Snow Plough



CONTACT Fork Mounted Snow Ploughs offer a fixed blade position which clears the snow to the left. As standard it is fitted with a steel wear strip along the bottom edge of the blade. Castors and rubber blade inserts are available as optional extras.

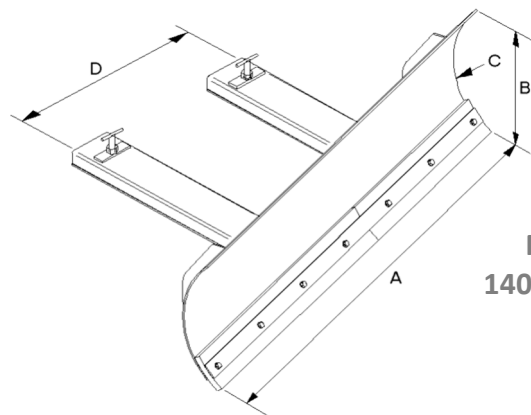
Our Fork Mounted Snow Plough should be pushed along with the blade wear strip (rubber depending on model) just in contact with the surface to be cleared.

To fit; simply ensure screw clamps are loosened enough to allow fork entry, then simply drive the truck slowly forwards into the pockets until as far in as possible. Then simply re-tighten the screw clamps.

The lift chains should be kept taut, supporting the weight of the forks and the attachment, particularly when castors are fitted

Model Ref.	A	B	C	D
FMP 1220	1220mm	517mm	380mm	830mm
FMP 1525	1525mm	517mm	380mm	830mm
FMP 1830	1830mm	517mm	380mm	830mm
FMP 2130	2130mm	517mm	380mm	830mm
FMP 1220-R	1220mm	550mm	380mm	830mm
FMP 1525-R	1525mm	550mm	380mm	830mm
FMP 1830-R	1830mm	550mm	380mm	830mm
FMP 2130-R	2130mm	550mm	380mm	830mm

Model Ref.	Weight	C of G
FMP 1220	90kgs	687mm
FMP 1525	99kgs	708mm
FMP 1830	108kgs	726mm
FMP 2130	117kgs	740mm
FMP 1220-R	95kgs	697mm
FMP 1525-R	106kgs	718mm
FMP 1830-R	117kgs	736mm
FMP 2130-R	129kgs	750mm



Max Fork Size  
140 x 60mm Section