



Flat Grab  
FZ

Order-No.  
5310.0278

Serial-No.



Bitte beachten Sie, dass das Produkt ohne vorliegende Betriebsanleitung in Landessprache nicht eingesetzt / in Betrieb gesetzt werden darf. Sollten Sie mit der Lieferung des Produkts keine Betriebsanleitung in Ihrer Landessprache erhalten haben, kontaktieren Sie uns bitte. In Länder der EU / EFTA senden wir Ihnen diese kostenlos nach. Für Länder außerhalb der EU / EFTA erstellen wir Ihnen gerne ein Angebot für eine Betriebsanleitung in Landessprache, falls die Übersetzung nicht durch den Händler/Importeur organisiert werden kann.

Please note that the product may not be used / put into operation without these operating instructions in the national language. If you did not receive operating instructions in your national language with the delivery of the product, please contact us. In countries of the EU / EFTA we will send them to you free of charge. For countries outside the EU / EFTA, we will be pleased to provide you with an offer for an operating manual in the national language if the translation cannot be organised by the dealer/importer.

**EG-Konformitätserklärung; EC-Declaration of conformity ; CE-Déclaration de Conformité; Certificato di conformità norme CE; CE-Declaración de conformidad**

**BEZEICHNUNG: Flat Grab  
FZ**

Hersteller: **PROBST GREIFTECHNIK VERLEGESYSTEME**  
 Manufacturer: Gottlieb-Daimlerstraße 6  
 Fabricant: 71729 Erdmannhausen  
 Costruttore: Probst Greiftechnik Verlegesysteme GmbH  
 Fabricante: info@probst-gmbh.de www.probst-gmbh.de

**Einschlägige Bestimmungen,  
denen die Maschine entspricht:**

Complies with the following provisions applying to it:  
 Spécifications respective qui sont conformes à la machine:  
 Definizione che sono conformi alla macchina:  
 Cumple con las siguientes provisiones aplicables a:

**2006/42/EG (Maschinenrichtlinie)**  
 EC-machinery directive 2006/42/EG  
 Idée directrice EC 2006/42/EG  
 EG-Linea di Guida CE 2006/42/EG  
 Directrices de la CE 2006/42/EG

**Fundstellen der harmonisierten Normen:**

Applied harmonized standards in particular:  
 Lieux de découverte des normes harmonisées:  
 Luogo di accertamento delle norme armonizzate  
 Aplicados en particular los siguientes estándares

**EN ISO 12100-1 2003  
(ISO 12100-1)**

**Sicherheit von Maschinen, Grundbegriffe, allgemeine  
Gestaltungsleitsätze, Teil 1: Grundsätzliche Terminologie,  
Methodik.**

Safety of machinery; Basic concepts, general principles for design,  
Part 1: Basic terminology, methodology.

Sécurité des machines; notions fondamentales, principes  
généraux de conception, Partie 1: terminologie de base,  
méthodologie.

Sicurezza della macchina, nozioni fondamentali, verifica della  
struttura generale, Parte 1: terminologia di base, metodologia.

Seguridad de la maquinaria; conceptos básicos, principios  
generales de diseño, parte 1: terminología básica, metodología.

**EN ISO 12100-2**      **2003**  
**(ISO 12100-2)**

**Sicherheit von Maschinen, Grundbegriffe, allgemeine Gestaltungsleitsätze, Teil 2: Technische Leitsätze und Spezifikationen.**

Safety of machinery; basic concepts, general principles for design; Part 2: principles and specifications.

Sécurité des machines; notions fondamentales, principes généraux de conception; Partie 2: Principes et spécifications techniques.

Sicurezza della macchina, nozioni fondamentali, verifica della struttura generale; Parte 2: principi e specifiche tecniche.

Seguridad de la maquinaria; conceptos básicos, principios generales de diseño, parte 2: principios y especificaciones.

**DIN EN ISO 13857**      **2008**

**Sicherheit von Maschinen - Sicherheitsabstände gegen das Erreichen von Gefährdungsbereichen mit den oberen u. unteren Gliedmaßen.**

Safety of machinery — Safety distances to prevent hazard zones being reached by upper and lower limbs

Sécurité des machines — Distances de sécurité empêchant les membres supérieurs et inférieurs d'atteindre les zones dangereuses.

Sicurezza della macchina — Distanza di sicurezza al fine di evitare pericolo di passaggio sotto e basso carichi sospesi.

Seguridad de la maquinaria — Distancia de seguridad con el fin de evitar que las extremidades superiores y inferior del cuerpo alcancen las zonas de peligro.

**DIN EN 349**              **1993**  
**(ISO 13854)**              **1996**

**Mindestabstände zur Vermeidung des Quetschens von Körperteilen.**

Minimum distance to avoid squeezing any parts of the body.

Distances minimum afin d'éviter une contusion des parties du corps.

Distanza minima al fine di evitare contusioni di parti del corpo.

Distancia mínima con el fin de evitar contusiones en cualquier parte del cuerpo.

**Authorized person for EC-dokumentation:**

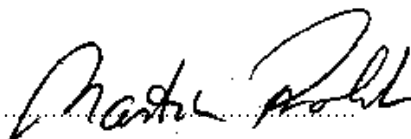
Name: J. Holderied

Address: Probst Greiftechnik • Verlegesysteme GmbH; Gottlieb-Daimler-Str. 6; D-71729 Erdmannhausen

**Signature, informations to the subscriber:**

Erdmannhausen, 10.05.2011.....

(M. Probst, Managing director)



**These operating instructions are for use on the c o n s t r u c t i o n s i t e !**

**Caution** Please refer to the operating instructions and safety regulations prior to operation!



**Table Of Contents**

Index	Page
1. Definitions	5
2. Safety Regulations	6
2.1 Utilisation As Directed	5
2.2 Utilisation In Line With Safety Regulations	5
2.3 Safety Measures	6
2.4 Duties Of The Operator Of The Material Handling Lifting Equipment	6
2.5 Visual And Functional Inspection	6
2.6 Inspections	7
3. Specification	7
4. Initial Operation And Control	8
4.1 Daily Safety Inspection	8
4.2 Control	8
5. Maintenance	9
6. Troubleshooting	9
7. Repairs	10
8. Warranty And Liability	10
9. Inspection Sheet	11
10. Hints to the indication plate	11
11. Spare Parts List	11

# FZ Operating Instructions Flat Grab

---

## 1. Definitions

**Danger** indicates a dangerous situation. If it is not avoided, it will cause death or major injuries.

**Caution** indicates a dangerous situation. If it is not avoided, it can cause light or minor injuries or material damage. It also indicates incorrect use.

## 2. Safety Regulations

### 2.1. Utilisation As Directed

- The flat clamp FZ may only be used for the vertical transport of individual plates with parallel surfaces. It is also possible to erect horizontal plates and to put down upright plates. No other type of use allowed!
- Current safety regulations and the Accident Prevention Regulations must be respected.
- **The flat clamp may only be used near to the ground.**
- The plate must be of sufficient construction to withstand the forces during transport.
- The Accident Prevention Regulation VBG 9a "Load-Handling Equipment For Hoisting System Service" must be respected.

**Danger** The following is prohibited. There is a danger of the load being released:

- **Do not exceed** the safe working load.
- **Do not transport** several plates at the same time.
- **Do not transport** wet, oily, dirty or icy plates.
- No personnel are allowed to remain under the load or within the danger area: **life threatening!**
- **Do not transport** plates whose specification do not correspond with the flat clamp (e.g. wall thickness, weight) or do not transport any other elements.
- **Do not transport** conical elements.
- **Do not use** the equipment to transport people: **life threatening!**
- **Do not use** the equipment to transport animals.
- Always lift load vertically. It is unsafe to lift at an angle.
- **Do not allow** loads to break free, be pulled or dragged.
- **Do not allow** sudden movements and swaying of the load.
- Always lift jaw vertically. It is unsafe to lift at an angle.

### 2.2 Utilisation In Line With Safety Regulations

Although the flat clamp is technologically advanced in its construction, however, misuse or use against manufacturer's instructions may prove hazardous.

**Danger** The following must be respected:

- The client may only allow people who have been fully trained and instructed in its use to operate the equipment.
- Prior to operation of the equipment the operator must in full read and understand both the operating instructions and the safety regulations.
- Always work with safety in mind and avoid risks.
- **Do never exceed** the safe working load.
- **Do never use** the equipment, if there are any defects which may affect the safety of the flat clamp. No opportunity should arise whereby it is possible to use the equipment prior to repair.
- **Do not remove** any name plates from the flat clamp. Replace illegible or damaged plates.
- The individual protective clothing must comply with safety regulations: safety clothes, safety helmet, protective gloves and shoes.

### 2.3 Safety Measures

**Caution** The following must be respected:

- Only personnel who have been fully trained or instructed in its use can operate the equipment.
- At regular intervals, check that work is being carried out safely.
- Store the operating instructions within easy reach of where the equipment is used.
- Do not allow the equipment to get dirty.

### 2.4 Duties Of The Operator Of The Material Handling Lifting Equipment

- The material handling lifting equipment and the rigging equipment must be in good working condition to operate safely.
- **Do not exceed** the safe working load of the material handling lifting equipment/rigging equipment!
- The operator must make sure that the load is safely fitted in and that no personnel remain within the hazardous area of the load to be lifted.
- The operator must be able to see the entire working area. If not, seek assistance.
- Only authorised personnel may operate the material handling lifting equipment.

### 2.5 Visual And Functional Inspection

- Prior to any operation, the functioning and the working condition of the material handling lifting equipment and the flat clamp must be examined. **Should there be any defects which may affect the safety of the equipment, the flat clamp must only be used following repair!** No opportunity should arise whereby it is possible to use the equipment prior to repair.
- Examine all slings for damages. In case of damages, it must be replaced immediately.
- In case of cracks, distortions or other defects found with the flat clamp, the equipment must be switched off immediately: **safety hazard!**

# FZ Operating Instructions Flat Grab

---

## 2.6 Inspections

### Inspection prior to initial operation

The client must ensure that the flat clamp is only operated once it has been checked by an expert and only if defects have been repaired.

### Regular inspections

The client must ensure that the flat clamp is checked by an expert at least once year.

### Special inspections

The client must ensure that following damage or particular incidents, which may have affected the safe working load of the equipment, as well as following repairs, the flat clamp is subjected to a special inspection by an expert.

### Recording

The client must ensure that all inspections are recorded. We recommend that all regular inspections and repairs are carried out by the manufacturer.

## 3. Specification

Order No.	Model	Only Suitable For	Safe Working Load	Clamping Range	Weight
5310.0278	<b>FZ</b>	<b>Individual Plates</b>	800 kg 1,760 lbs	0 – 60 mm 0-2 ½"	6 kg 13 lbs

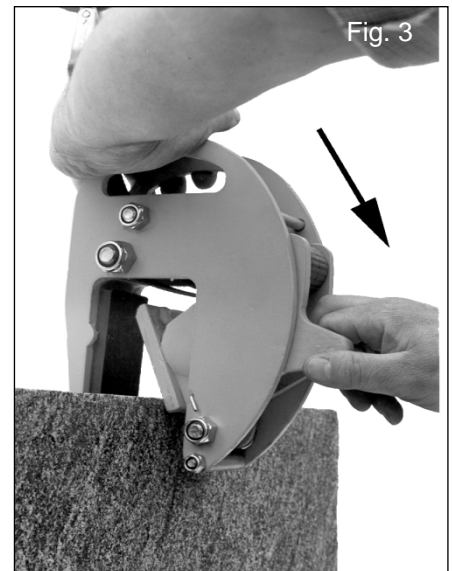
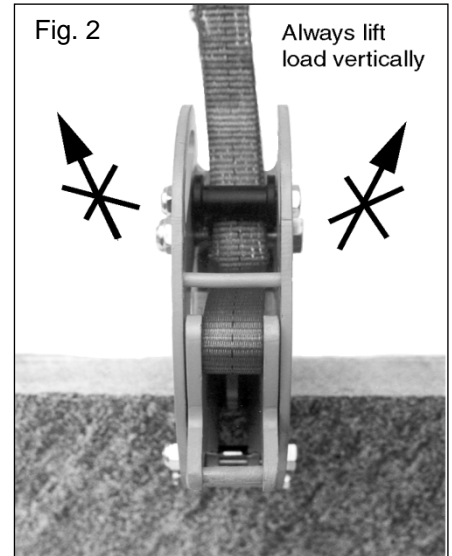


The Flat Grab FZ is designed for the safe transport of individual plates with parallel surfaces. Care must be taken to ensure that the safe working load is not exceeded and the clamping range respected. Always lift load vertically. It is unsafe to lift at an angle. (Fig. 2).

**4. Initial Operation And Control**

**4.1 Initial Operation**

- The fully assembled flat clamp is delivered in a cardboard box.
- Remove package material and check quantity, and damage, if any.
- Prior to initial operation it must be ensured that the flat clamp is suited for the transport of the plate:
  - The material to be transported must be of sufficient construction to withstand the forces during transport, specially when putting down the plate.
  - The weight of the plate may not exceed the safe working load of the clamp.
  - The thickness of the plate must correspond to the clamping range of the clamp.
- The client must ensure that prior to operation the functioning and working condition of the flat clamp is examined by an expert and that any defects found are repaired.
- Fit loop of the sling in the load hook of the material handling lifting equipment. It must be ensured that the sling is not twisted and that it can be easily pulled through the jaw.
- Operate flat clamp using the handles only: **risk of injury!**



**4.2 Control**

The plate must be of sufficient construction to withstand the clamping forces during transport, **otherwise there is a danger of the load or parts of the load being released!**

- **Do not transport** wet, oily, dirty or even icy plate.
- Examine weight and thickness of the plate!
- The plate must have parallel surfaces!
- It must be ensured that the sling can easily be pulled through the jaw.
- Picking up of the plate:

Plate in upright position: position clamp in the centre of the plate above the centre of gravity, open clamp against the spring tension and push in to the limit stop (Fig. 3). Now slowly lift plate for approx. 10 cm.



# FZ Operating Instructions Flat Grab

Plate in horizontal position: position clamp in the centre of the plate above the centre of gravity and the narrow jaw must show downwards. Open clamp against the spring tension and push in to the limit stop (Fig. 4). Now lift plate for approx. 10 cm.

- After controlling the tight and safe fit of the clamp onto the plate, the plate may be transported near to the ground, **otherwise safety hazard!**

**Danger Do not sway the load during transport: danger of the load being released!**

- Always lift clamp vertically. It is unsafe to lift at an angle; **distortion and danger of releasing the load!**
- Set down plate (vertically or horizontally) and secure it against falling over.
- Release sling and release sling by pressing against the spring tension.

## 5. Maintenance

- Regular inspection of sling for damages.
- Regular inspection of all bolt connections.
- In case of wear and tear replace rubber jaw insert in time.
- Repair paint.
- All moveable parts must be easily moveable.
- Cleanliness increases the safety and the working life of the equipment.
- Only original spare parts may be used.

Maintenance works must only be carried out by experts.

## 6. Troubleshooting

As with all technical devices, the flat clamp may develop failures. Please consult the following checklist in the first instance in order to find out whether the failure can be easily solved. If not, please contact the manufacturer.

Problem	Solution
Clamp does not engage.	<ol style="list-style-type: none"> <li>1. Is the sling twisted?</li> <li>2. Is the angle lever tension correct?</li> <li>3. Is the plate oily, icy or dirty?</li> <li>4. Is the plate thickness within the clamping range of the clamp? Does the plate have a conical shape?</li> <li>5. Is the rubber coating worn out?</li> <li>6. Does the weight of the plate exceed the safe working load?</li> <li>7. Is the clamp damaged or deformed?</li> </ol>
Clamp does not fit.	<ol style="list-style-type: none"> <li>1. Is the plate thickness within the clamping range of the clamp?</li> </ol>

## **7. Repairs**

- Repairs may only be carried out by experts or by the manufacturer.
- The company will accept no liability, unless only original spare parts are used.
- Do not carry out any alterations or modifications.
- A special inspection must be carried out by an expert or by qualified personnel before the equipment can be operated again.

## **8. Warranty And Liability**

The warranty and the liability are no longer valid, if the equipment has not been assembled, installed, operated, checked and maintained according to these instructions.

Any doubts about instructions should be raised with the manufacturer prior to use.

Prior to every operation the user must ensure that

- the equipment is suited to the intended operation,
- the functioning and the working condition of the equipment is examined,
- the loads are suitable to be handled.

Failures are to be reported in writing to the supplier immediately, at the latest two weeks following delivery.

It is unacceptable for the client to repair failures or have them repaired by a third party, and then request to be reimbursed for the costs.

According to the manufacturer's general contract conditions the equipment is under warranty for a period of six months from the invoice date. Wearing parts are not covered by the warranty.

The manufacturer is not responsible for any damage occurring in the event of an installation error or insufficient training by a third party, negligence, misuse or excessive stress of the equipment.

It is within the responsibility of the client to check prior to operation the functional condition of the equipment, the suitability of the load to be handled as well as any damage to the load before and after transport/installation.

The manufacturer does not take responsibility for any additional claims, for instance, the right to compensation for damage not caused to the equipment itself.

### Inspection Sheet

Model	
Serial number	
Year of construction	
Company	
Date of first operation	

The inspection of the load handling equipment is carried out by an expert according to the Accident Prevention Regulation VBG 9a "Load-Handling Equipment For Hoisting System Service".

#### Inspection And Maintenance According To The Accident Prevention Regulation VBG 9a

Inspection prior to initial operation according to § 39:	
	Date <span style="margin-left: 150px;">Signature of expert</span>
Special inspection according to § 41:	
	Date <span style="margin-left: 150px;">Signature of expert</span>
Regular inspection according to § 40:	Result:
	Date <span style="margin-left: 150px;">Signature of expert</span>
Regular inspection according to § 40:	Result:
	Date <span style="margin-left: 150px;">Signature of expert</span>
Regular inspection according to § 40:	Result:
	Date <span style="margin-left: 150px;">Signature of expert</span>
Regular inspection according to § 40:	Result:
	Date <span style="margin-left: 150px;">Signature of expert</span>

## 9. Hints to the identification plate



Type, serial-number and production year are very important for the identification of your device. If you need information to spare-parts, warranty or other specific details please refer to these information.

The max. carrying capacity is the maximum load which can be handled with the device. Do not exceed this carrying capacity.

If you use the device in combination with other lifting equipment (Crane, chain hoist, forklift truck, excavator) consider the deadweight of the device

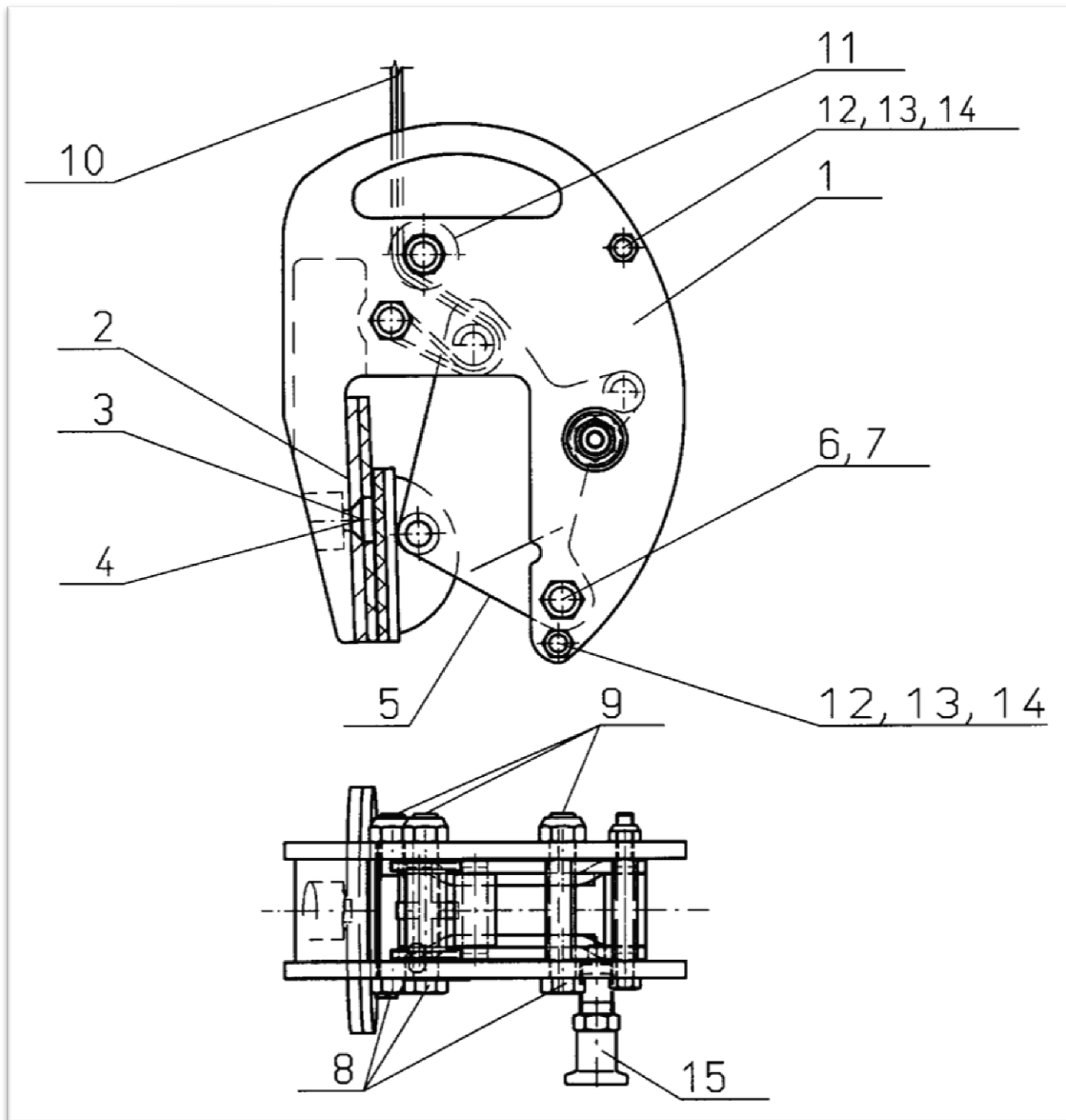


Example:

## 10. Hints to the renting/leasing of PROBST devices



With every renting/leasing of PROBST devices the original operating instructions must be included unconditionally (in deviation of the users country's language, the respective translations of the original operating instructions must be delivered additionally)!



03/04

Item No.	Description	FZ 5310.0278		
		Unit	Order No.	Price €/Unit
1	Outside clamp	1	046 886	
2	Pressure washer with rubber coating	1	046 884	
3	Countersunk head screw M 10 x 25	1	046 889	
4	Hexagonal nut M 10	1	051 102	
5	Tensioning unit	1	046 879	
6	Spiral ring, right	1	046 888	
7	Spiral ring, left	1	046 887	
8	Hexagonal head cap screw M 12 x 80	3	050 031	
9	Hexagonal nut M 12	3	051 103	
10	Web sling HZ 30	1	046 878	
11	Pulley	1	046 872	
12	Bush	2	046 874	
13	Hexagonal head cap screw M 8 x 80	2	050 013	
14	Hexagonal nut M 8	2	051 101	
15	Stop bolt	1	041 594	



# Proof of maintenance

*The claim under guarantee for this device only exists and is subject to the proper execution of the mandatory maintenance works. (In case of warranty request please always attach a copy of the proof of maintenance)*

Operator: \_\_\_\_\_

Device type: \_\_\_\_\_

Device-No.: \_\_\_\_\_

Article -No.: \_\_\_\_\_

Year of make: \_\_\_\_\_

## First inspection after 25 operating hours

Date:	Maintenance work:	Inspection by company:	
		Company stamp	
		Name _____ Signature _____	

## After 50 operating hours

Date:	Maintenance work:	Inspection by company:	
		Company stamp	
		Name _____ Signature _____	
		Company stamp	
		Name _____ Signature _____	
		Company stamp	
		Name _____ Signature _____	

## Minimum 1x per year

Date:	Maintenance work:	Inspection by company:	
		Company stamp	
		Name _____ Signature _____	
		Company stamp	
		Name _____ Signature _____	



