

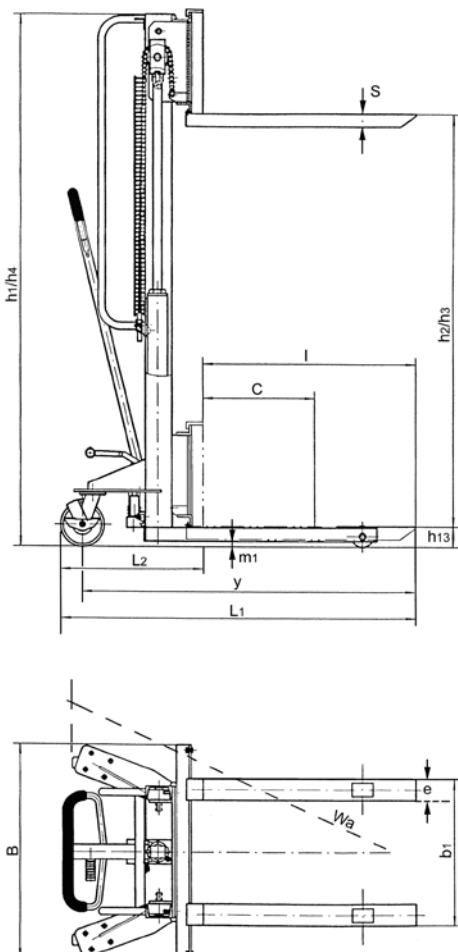
HV 0516 Manual drive stacker with manual-hydraulic lift

Capacity 500 kg

Ideal for the occasional, internal application of stacking and transporting of palletised goods, loading and unloading of shelves and lorries.

Features

- Ergonomic safety control handle for one-hand operation of lifting, driving and lowering.
- Handlebars for easy operation.
- Lowering speed can be finely metered for sensitive lowering of the load.
- Single-acting hand pump with increased lift per handle stroke.
- Robust mast construction with hard chromium plated piston.
- Steering roller with brake for safe parking of the hand stacker.



Technical data HV 0516

| Model | HV 0516 |
|--|----------|
| Art.-No. | 40005551 |
| Capacity, kg | 500 |
| Load center c, mm | 600 |
| Wheelbase y, mm | 1630 |
| Weight, kg | 160 |
| Tyre type ¹ | PA/PUR |
| Steering rollers, mm | 145 x 40 |
| Load rollers, mm | 80 x 35 |
| Number of wheels/load rollers | 2/2 |
| Height, mast retracted h1, mm | 2000 |
| Freelift h2, mm | 1520 |
| Stroke h3, mm | 1520 |
| Height, mast extended h4, mm | 2000 |
| Lifting height max. h3 + h13, mm | 1600 |
| Fork height lowered h13, mm | 90 |
| Overall length L1, mm | 1750 |
| Length incl. apron L2, mm | 480 |
| Overall width B, mm | 830 |
| Fork height s, mm | 50 |
| Fork width e, mm | 120 |
| Fork length l, mm | 1150 |
| Outside dimension of forks adjustable up to b1, mm | 270/810 |
| Ground clearance m1, mm | 25 |
| Turning circle radius Wa, mm | 1500 |
| Lift per one crank rotation with/without load, mm | 20/45 |

¹PA... Polyamide, PUR... Polyurethane



HV 1008 and HV 1016 Manual drive stacker

Capacity 1000 kg

Ideal for the occasional, internal application of stacking and transporting of palletised goods.

Features

- Ergonomic safety control handle for one-hand operation of lifting, driving and lowering.
- Easy handling due to forced steering rollers.
- Lowering speed can be finely metered for sensitive lowering of the load.
- Single-acting hand pump with increased lift per handle stroke.
- Quick-lift for loads up to 100 kg.
- Robust mast construction with hard chromium plated piston.
- Steering roller with brake for safe parking of the hand stacker.



Technical data HV 1008 and HV 1016

| Model | HV 1008 | HV 1016 |
|---|----------|----------|
| Art.-No. | 34518032 | 34518030 |
| Capacity, kg | 1000 | 1000 |
| Load center c, mm | 600 | 600 |
| Wheelbase y, mm | 1075 | 1075 |
| Weight, kg | 179 | 205 |
| Tyre type ¹ | PUR/PUR | PUR/PUR |
| Steering rollers, mm | 180 x 50 | 180 x 50 |
| Load rollers, mm | 80 x 55 | 80 x 55 |
| Number of wheels/load rollers | 2/2 | 2/2 |
| Height, mast retracted h1, mm | 1300 | 1965 |
| Freelift h2, mm | 810 | 1510 |
| Stroke h3, mm | 810 | 1510 |
| Height, mast extended h4, mm | 1300 | 1965 |
| Lifting height max. h3 + h13, mm | 900 | 1600 |
| Fork height lowered h13, mm | 90 | 90 |
| Overall length L1, mm | 1675 | 1675 |
| Length incl. apron L2, mm | 552 | 552 |
| Overall width B, mm | 765 | 765 |
| Fork height s, mm | 60 | 60 |
| Fork width e, mm | 60 | 60 |
| Fork length l, mm | 1122 | 1122 |
| Outside dimension of forks b1, mm | 570 | 570 |
| Ground clearance m1, mm | 25 | 25 |
| Aisle width pallet Ast, mm | 1875 | 1875 |
| Turning circle radius Wa, mm | 1445 | 1445 |
| Lift per one crank rotation with/without load, mm | 17/50 | 17/50 |

¹PUR... Polyurethane

