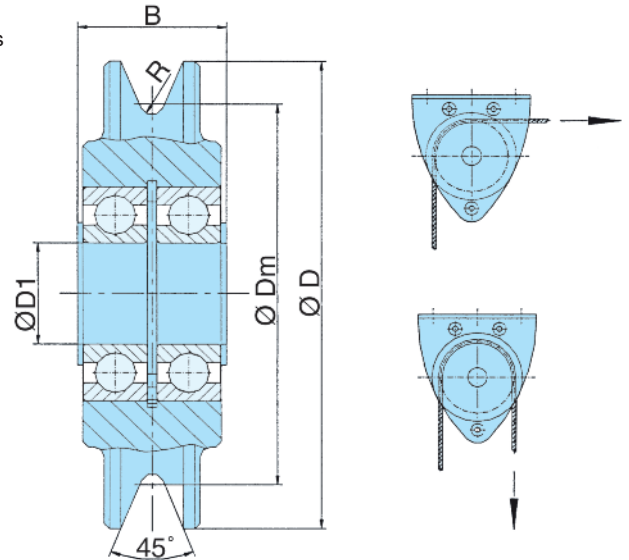
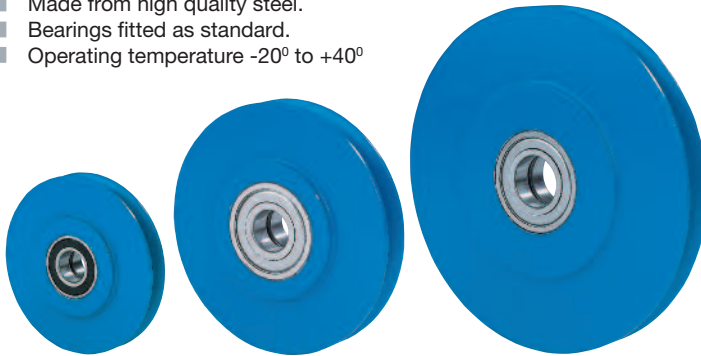


Pfaff's wire rope pulleys are available in a wide variety of sheave diameters from 145mm up to 490mm and wire rope diameters from 6mm to 18mm.

**Features and benefits include:**

- Wear resistant rope guide.
- Made from high quality steel.
- Bearings fitted as standard.
- Operating temperature -20° to +40°



Model	Article no.	D mm	Rope Ø mm	Dm mm	Drive group FEM	Tensile load kg at deflection		Ball bearing	D1 Ø mm	R mm	B mm
						90°	180°				
DSR S 145/5	33447204	145	5	125	2m	1100	800	6205ZZ	25	2.7	34
DSR S 145/6	33447205	145	6	125	2m	1100	800	6205ZZ	25	3.2	34
DSR S 185/8	33447207	185	8	160	2m	2300	1630	6306ZZ	30	4.2	42
DSR S 270/10	33447209	270	10	245	3m	2500	1800	6208ZZ	40	5.3	41
DSR S 270/12	33447211	270	12	246	2m	2500	1800	6208ZZ	40	6.5	41
DSR S 325/14	33447217	325	14	297	2m	4500	3200	6310ZZ	50	7.5	60
DSR S 400/18	33447214	400	18	364	2m	5000	3800	6310ZZ	50	9.7	61

• Other size options are available upon request.