

The Fork Mounted Extender jib allows transportation of long loads. The two hooks provided allow loads to be slung at greater centres than a conventional fixed jib.

The greater length available allows loads to be picked up from otherwise inaccessible areas.

Capacity (kg) at Load Centre (mm)

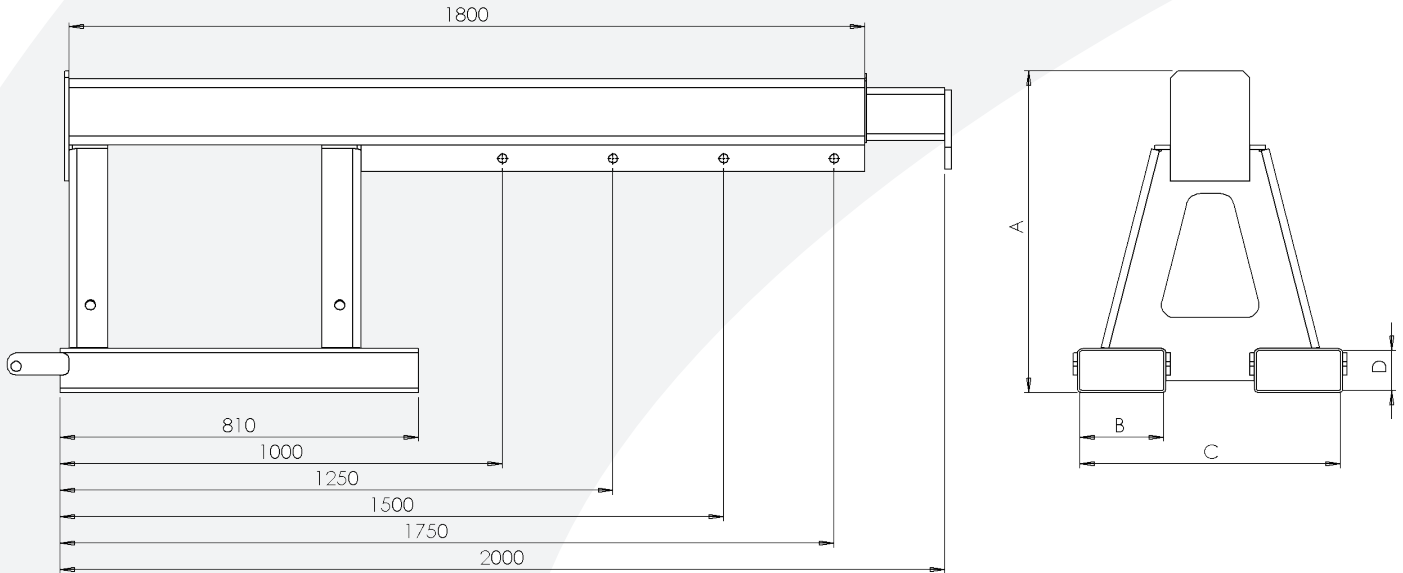
Model Ref	Minimum Truck Capacity (kg)	1000	1250	1500	1750	2000	2250	2500	2750	3000
FMX 500-1.8	2000	1100	900	720	580	500	360	330	260	210
FMX 500-2.2	2500	1400	1100	1000	830	750	560	440	320	230
FMX 500-2.7	3000	1450	1200	1100	900	840	670	490	360	270
FMX 500-3.1	3500	1900	1500	1200	1000	900	730	580	450	370
FMX 500-3.5	4000	2000	1600	1300	1100	1000	820	670	540	460
FMX 500-4.4	5000	2700	2200	1850	1400	1100	900	750	620	500

Features & Benefits

- Extends out to 3000mm to allow loads to be picked up from greater distances
- Raised hook position for improved visibility whilst keeping hook off the ground when left standing
- Jib rated to suit the capacity of the lift truck,, which helps to reduce wear & tear and possible overloading
- Multiple hook positions for flexible load handling whilst reducing handling costs
- Long jib arm helps reach otherwise inaccessible places
- Heel retaining pins ensures jib is safely secured to the forklift forks
- CE marked and supplied with certificate of conformity for health & safety regulations

Forklift Jibs - Extender Range

Jib Dimensions



Model Ref	"A" (mm)	"B" (mm)	"C" (mm)	"D" (mm)	Weight (kg)
FMX 500-1.8	708	150	510	70	124
FMX 500-2.2	708	150	510	70	124
FMX 500-2.7	728	190	590	90	202
FMX 500-3.1	728	190	590	90	202
FMX 500-3.5	728	190	590	90	202
FMX 500-4.4	728	190	590	90	202

N.B: Bowl of hook hangs 70mm above the fork blade