



Swivel davit crane SST

125 – 500 kg

Description of the winch

The lifting davit stainless steel 316 is a very user-friendly standing crane. Lightweight and portable. Within 3 seconds this winch is ready for use. Because of the use of 316 stainless steel, the crane is highly corrosive.

Product specifications

- > robust and safe lifting davit crane in compliance with EN13157
- > ready to use in 5 seconds
- > integrated winch and cable in an ergonomic modern design
- > easy to transport
- > load pressure brake with double ratchet system for safe stable hold of the load in any position
- > possible to rotate 360° due to the use of ball bearings
- > adjustable crank, with ergonomic grip
- > maintenance free
- > including 8 meter stainless steel wire rope (d5 mm) with hook
- > full stainless steel grade 316 body
- > corrosion resistant

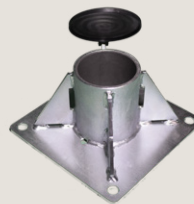


Options (code)

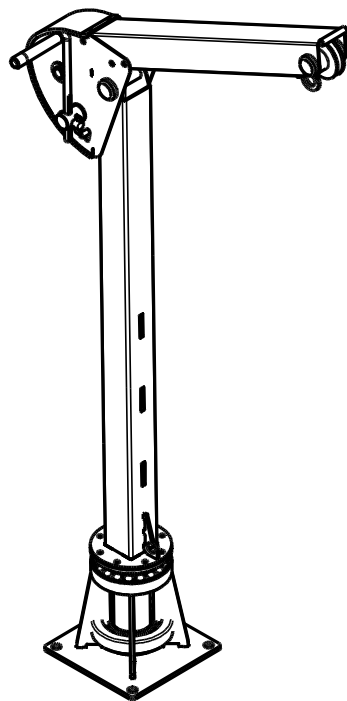
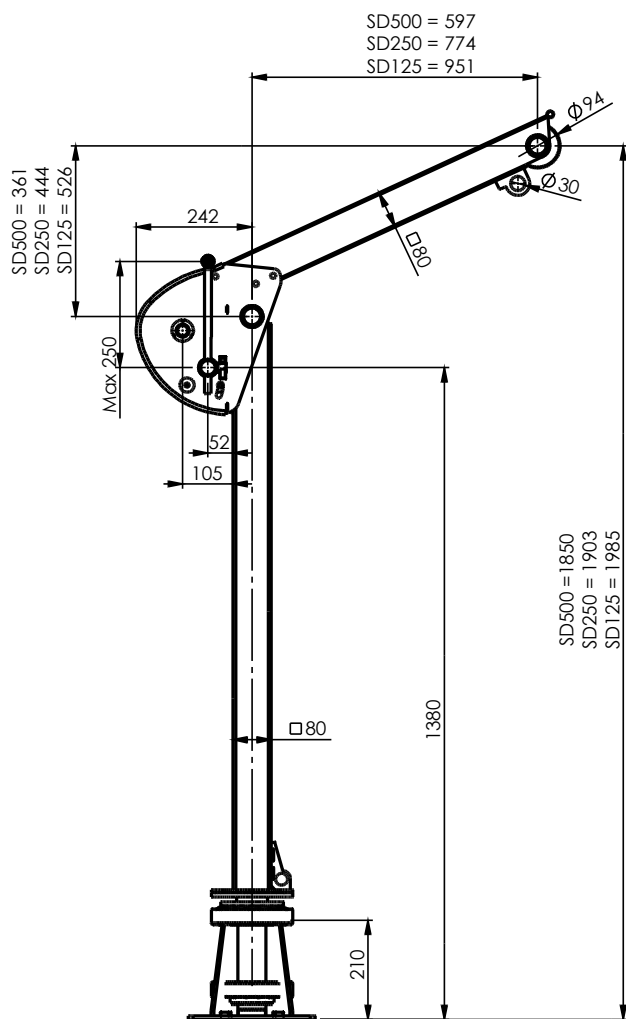
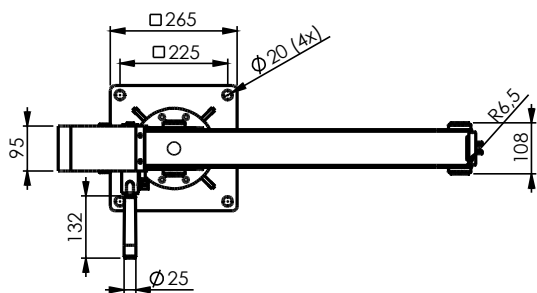
- ATEX certified zone 2 and 22 (EX)
 - CE II 3G Ex IIC T4 Gc, -20°C<T amb <+70°C
 - CE II 3D Ex IIIC T135°C Dc, -20°C<T amb <+70°C
- custom options possible - [on request](#)

Accessoires

- floor, wall and in-concrete sockets
- carry bag and protection cover



Technical specifications SD125-500



| Technical specifications | Unit | SD125 | SD250 | SD500 |
|---------------------------|------|----------|----------|----------|
| Capacity 1st layer | kg | 125 | 250 | 500 |
| Capacity top layer | kg | 125 | 250 | 268 |
| Rope diameter-Ø | mm | 4 | 4 | 5 |
| Rope storage top layer | m | 18 | 18 | 13 |
| Lift per crank rotation | mm | 20 | 20 | 20 |
| Crank effort at full load | daN | 10 | 10 | 10 |
| Weight Swivel Davit | kg | 30 | 30 | 30 |
| Weight floor-socket | kg | 8,9 | 8,9 | 8,9 |
| Article number | no. | 77001940 | 77001930 | 77001920 |