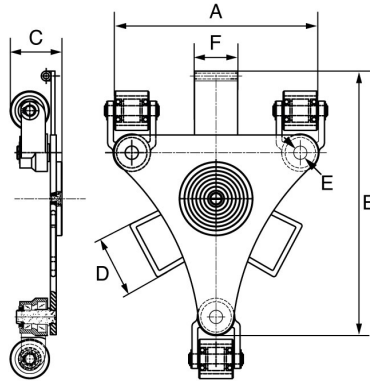


GT Viper 360° Rotating Machinery Moving Skate 2T – VRS2



- Each wheel rotates 360 ° to allow movement in all directions with minimum effort.
- Turnable, has bearing for easy turning.
- Polyurethane wheels to reduce the risk of change to the floor.
- Handle used to pull and steer the load (not supplied as standard).
- Handle to fit: GTRSH (V4503).

Certification available **2.1** **2.2**

VRS2

Product Code	Capacity	A	B	C	D	E	F	Weight
	t	mm	mm	mm	mm	mm	mm	kgs
VRS2	2	416	526	105.5	120.7	27	88	39